



Ph Free

RoHS Compliant

Features

- Ultra-miniature SMD type (3.2×2.5×1.0mm)
- Frequency deviation : ±0.5×10⁻⁶/ -30 to +85°C
- 2.3 to 3.6V drive available
- Reflow compatible

Applications

- GPS Units

How to Order

KT3225P 27456 A C W 28 T xx
 ① ② ③ ④ ⑤ ⑥ ⑦ ⑧

- ① Series
- ② Output Frequency

28	2.8V	30	3.0V
----	------	----	------
- ③ Frequency deviation

A	±0.5×10 ⁻⁶
---	-----------------------
- ④ Lower Operating Temp.

C	-30°C
E	-20°C
G	-10°C
- ⑤ Upper Operating Temp.

W	+85°C
V	+80°C
U	+75°C
- ⑥ Supply Voltage

28	2.8V	30	3.0V
----	------	----	------
- ⑦ Voltage Control Range

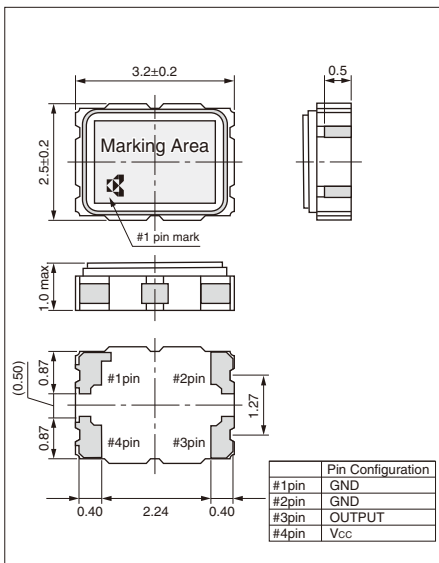
T	TCXO
---	------
- ⑧ Option Code

Specifications

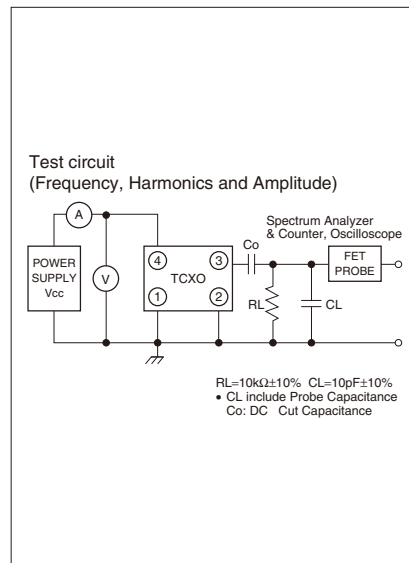
Item	Symbol	Conditions	Min.	Max.	Units
Output Frequency Range	f _o	Standard Frequency: 16.368, 16.369, 19.2, 23.104, 24.5535, 26, 27.456	—	—	MHz
Frequency Tolerance	f _{tol}	vs Temperature	-0.5	+0.5	×10 ⁻⁶
		vs Load	-0.1	+0.1	
		vs Voltage	-0.2	+0.2	
Frequency Aging	f _{age}	Per Year	-1	+1	×10 ⁻⁶
Storage Temperature Range	T _{stg}		-40	+85	°C
Operating Temperature Range	T _{use}		-30	+85	°C
Supply Voltage	V _{CC}		2.3	3.6	V
Output Level	V _{pp}	10k ohm // 10pF	0.8	—	Vp-p
Current Consumption	I _{CC}		—	2	mA
Harmonics	—		—	-5	dBc

Dimensions

(Unit: mm)



Test Circuit



Recommended Land Pattern

(Unit: mm)

