



Ph Free

RoHS Compliant

**Features**

- Ultra-miniature SMD type (3.2×2.5×1.0mm)
- Reflow compatible
- AFC function available
- 2.3 to 3.6V drive available
- Frequency deviation : ±2.0×10<sup>-6</sup>/-30 to +85°C

**Applications**

- 3G (CDMA, W-CDMA, TD-SCDMA), GPRS, GSM, Wi-Fi, WiMAX
- Low power radio communications

**How to Order**

KT3225P 26000 D C W 28 T xx  
 ① ② ③ ④ ⑤ ⑥ ⑦ ⑧

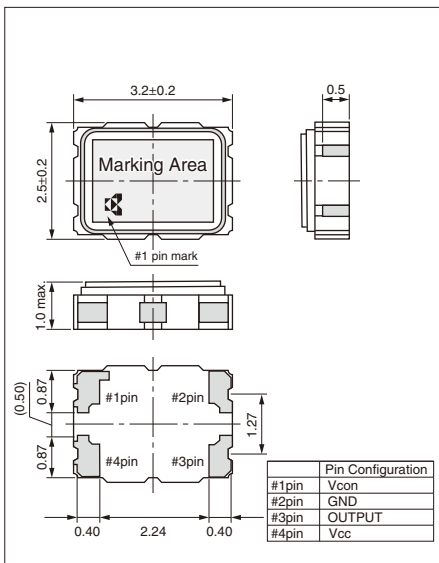
- ① Series
  - ② Output Frequency
  - ③ Frequency deviation
  - ④ Lower Operating Temp.
  - ⑤ Upper Operating Temp.
  - ⑥ Supply Voltage
  - ⑦ Voltage Control Range
  - ⑧ Option Code
- |               |                       |           |      |
|---------------|-----------------------|-----------|------|
| <b>28</b>     | 2.8V                  | <b>30</b> | 3.0V |
| <b>B</b>      | ±1.0×10 <sup>-6</sup> |           |      |
| <b>C</b>      | ±1.5×10 <sup>-6</sup> |           |      |
| <b>D</b>      | ±2.0×10 <sup>-6</sup> |           |      |
| <b>T</b>      | TCXO                  |           |      |
| <b>Other*</b> | VCTCXO                |           |      |
- \* Customer Spec.
- |          |       |
|----------|-------|
| <b>C</b> | -30°C |
| <b>E</b> | -20°C |
| <b>G</b> | -10°C |
| <b>W</b> | +85°C |
| <b>V</b> | +80°C |
| <b>U</b> | +75°C |

**Specifications**

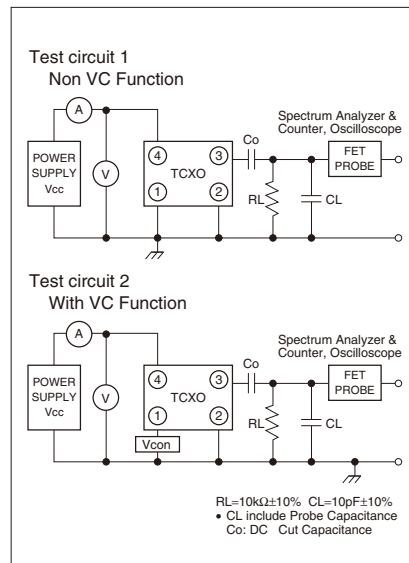
Item	Symbol	Conditions	Min.	Max.	Units
Output Frequency Range	f <sub>o</sub>	Standard Frequency: 13, 14.4, 19.2, 21.25, 26, 38.4, 40, 52	13	52	MHz
Frequency Tolerance	f <sub>tol</sub>	vs Temperature	-2	+2	×10 <sup>-6</sup>
		vs Load	-0.1	+0.1	
		vs Voltage	-0.2	+0.2	
Frequency Aging	f <sub>age</sub>	Per Year	-1	+1	×10 <sup>-6</sup>
Storage Temperature Range	T <sub>stg</sub>		-40	+85	°C
Operating Temperature Range	T <sub>use</sub>		-30	+85	°C
Voltage Control Range	f <sub>cont</sub>	Positive	±8	±15	×10 <sup>-6</sup>
Supply Voltage	V <sub>cc</sub>		2.3	3.6	V
Output Level	V <sub>pp</sub>	10k ohm // 10pF	0.8	—	Vp-p
Current Consumption	I <sub>cc</sub>		—	2	mA
Harmonics	—		—	-5	dBc

**Dimensions**

(Unit: mm)



**Test Circuit**



**Recommended Land Pattern**

(Unit: mm)

