



Features

- Ultra-miniature SMD Type (3.2x2.5x1.0mm)
- Reflow compatible
- AFC function available
- 2.3 to 3.5V drive available
- Frequency Stability : ± 2.0 ppm at -30°C to $+85^{\circ}\text{C}$

Applications

- PDC, GSM, CDMA

How to Order

KT21 - D C V 30 - 19.680M - T
 ① ② ③ ④ ⑤ ⑥ ⑦ ⑧

① Series

K	± 5 ppm
E	± 2.5 ppm
D	± 2.0 ppm

③ Lower operating temp

C	-30°C
E	-20°C
G	-10°C

④ Upper operating temp

W	85°C
V	80°C
U	75°C

⑤ Supply Voltage

28	2.8V	30	3.0V
----	------	----	------

⑥ Option Code

⑦ Frequency(MHz)

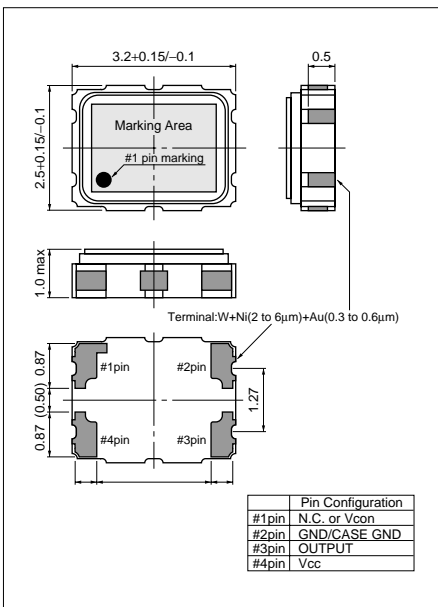
12.600	19.200	26.000
13.000	19.440	38.400
14.400	19.680	
16.800	19.800	

⑧ Packaging

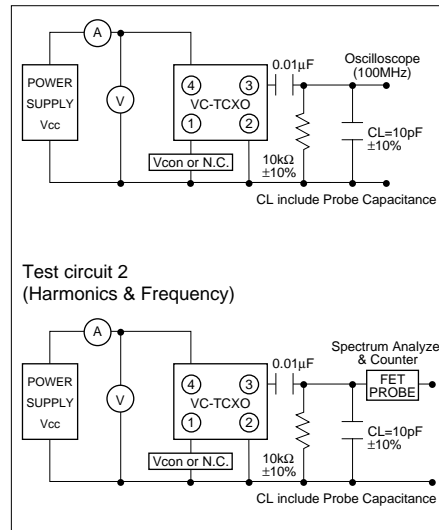
T	Tape & Reel
2,000pcs/Reel	

Dimensions

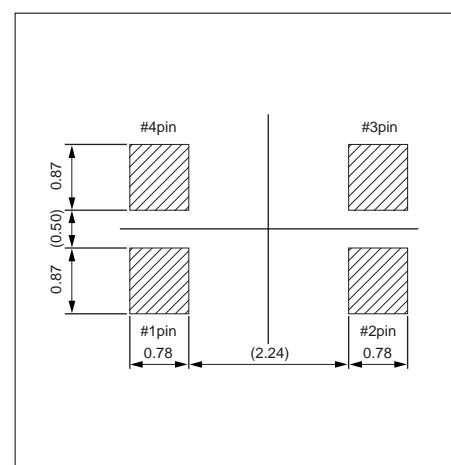
(Unit : mm)



Test Circuit



Recommended Land Pattern (Unit : mm)



Specifications

Items	Code	Specifications			Unit	Remarks
		Cellular				
Supply Voltage	Vcc	2.3 to 3.5			V	—
Output Frequency	fo	12.600	16.800	19.800	MHz	—
		13.000	19.200	26.000		
		14.400	19.680	38.400		
Operating Temp.	Topr	-30 to $+85$			$^{\circ}\text{C}$	—
Storage Temp.	Tstg	-40 to $+85$			$^{\circ}\text{C}$	—
Frequency Stability	$\Delta f/fo$	± 2.0 max			ppm	vs Temp. (After Reflow)
		± 2.5 max				
		± 0.2 max			ppm	vs Load
		± 0.3 max			ppm	vs Voltage
Aging Rate	Aging	± 1.0 max			ppm/year	$25^{\circ}\text{C} \pm 2^{\circ}\text{C}$
Output Voltage	Vout	0.8min			Vp-p	Load 10k Ω /10pF
Supply Current	Icc	2.0max			mA	—
Voltage Control Range	$\Delta f/V$	exp: ± 8.0 to ± 15			ppm	—
Harmonics	—	-5.0 max			dBc	—