

KYOCERA CERQUAD® PACKAGES



- Notes (1) Die Attach Cavity Option : "Bare Ceramic Surface" or "Gold(Au) Paste"
 (2) Leadframe Surface Finish : "Electrolytic Gold(Au) Plating"
 (3) CERQUAD is a registered trademark of KYOCERA Corporation.

Inquiries about this list

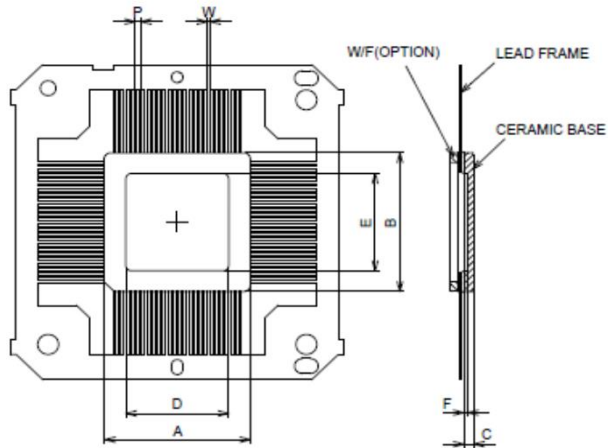
UNIT : mm [Click here for inch dimensions](#)

R0165G

LEAD COUNT	CAVITY LENGTH H E	CAVITY WIDTH D	CAVITY DEPTH F	CERAMIC LENGTH B	CERAMIC WIDTH A	CERAMIC THICKNESS C	EXTERNAL LEAD PITCH P	EXTERNAL LEAD WIDTH W	LEAD TIP TO TIP	LEAD TIP TO TIP	CORNER SHAPE	WINDOW FRAME	DIE ATTACH OPTION (Note(1))	LEAD SURFACE FINISH (Note(2))	BEND FORM	LEAD TIE BAR	PACKAGE DRAWING NUMBER	MATCHING GLASS SEAL CERAMIC LID	MATCHING EPOXY SEAL CERAMIC LID
64	5.60	5.60	0.38	10.00	10.00	1.25	0.50	0.20	12.40	12.40	B	YES	Bare or Au	Au Plating	Z	-	QC-064347-WZ	KKC-10774	KO-LID110202
64	7.24	7.24	0.38	13.97	13.97	0.95	0.80	0.35	29.40	28.40	B	YES	Bare or Au	Au Plating	Z	YES	QC-064307-WZ	KKC-10497	KE-91473-1
80	9.80	9.80	0.38	13.97	13.97	0.95	0.65	0.30	17.00	17.00	B	YES	Bare or Au	Au Plating	Z	-	QC-080324-WZ	KKC-10497	KE-91473-1
100	9.80	9.80	0.38	13.97	13.97	0.95	0.50	0.20	17.00	17.00	B	YES	Bare or Au	Au Plating	Z	-	QC-100364-WZ	KKC-10497	KE-91473-1
100	8.99	8.99	0.40	20.00	14.00	0.95	0.65	0.35	23.90	17.91	B	YES	Bare or Au	Au Plating	Z	-	QC-100333-WZ	KKC-10384	KE-90655
120	11.68	11.68	0.38	28.00	28.00	1.27	0.80	0.35	41.75	40.75	B	YES	Bare or Au	Au Plating	Z	YES	QC-120304-WZ	KKC-10430	KE-91033
128	15.00	15.00	0.38	28.00	28.00	1.27	0.80	0.35	32.00	32.00	B	YES	Bare or Au	Au Plating	Z	-	QC-128312-WZ	KKC-10430	KE-91033
144	12.00	12.00	0.38	19.20	19.20	1.10	0.50	0.20	42.18	41.18	B	YES	Bare or Au	Au Plating	Z	YES	QC-144398-WZ	KKC-10312	KE-91175
160	13.00	13.00	0.38	28.00	28.00	1.27	0.65	0.30	32.00	32.00	B	YES	Bare or Au	Au Plating	Z	-	QC-160310-WZ	KKC-10430	KE-91033
176	13.00	13.00	0.38	23.20	23.20	1.27	0.50	0.20	26.60	26.60	B	YES	Bare or Au	Au Plating	Z	-	QC-176316-WZ	KKC-10456	KE-91403
208	14.00	14.00	0.38	27.20	27.20	1.27	0.50	0.20	30.60	30.60	B	YES	Bare or Au	Au Plating	Z	-	QC-208366-WZ	KKC-10430	KE-91033
240	17.00	17.00	0.38	31.20	31.20	1.40	0.50	0.20	34.60	34.60	B	YES	Bare or Au	Au Plating	Z	-	QC-240310-WZ	KKC-10799	KO-LID102325
304	20.00	20.00	0.38	39.20	39.20	1.35	0.50	0.20	42.60	42.60	B	YES	Bare or Au	Au Plating	Z	-	QC-304304-WZ	KKC-11160	KE-91867
304	20.00	20.00	0.38	39.20	39.20	1.55	0.50	0.20	56.09	55.09	B	YES	Bare or Au	Au Plating	Z	YES	KC-PQD130222-A	KKC-11160	KE-91867

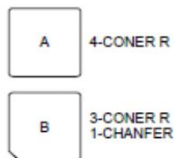
* Contents in this list are subject to change without notice. It is recommended to confirm the latest information at the time of usage. We may not be able to accept requests based on old list.

FLAT LEAD

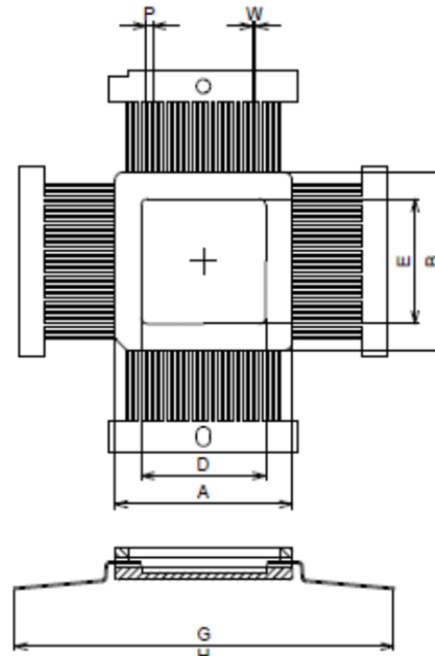


- DIMENSION**
 A: CERAMIC LENGTH
 B: CERAMIC WIDTH
 C: CERAMIC THICKNESS
 D: CAVITY LENGTH
 E: CAVITY WIDTH
 F: CAVITY DEPTH
 P: EXTERNAL LEAD PITCH
 W: EXTERNAL LEAD WIDTH
 G, H: LEAD TIP TO TIP

CERAMIC CONER SHAPE



Z BEND FORM WITH TIE-BAI



Z BEND FORM

