
Standard Ferrule Product List

[1. Single Mode Ferrule](#) (2p, 3p, 4p, 5p)

[2. Multi Mode Ferrule](#) (6p, 7p)

[3. Ferrule for Attenuator](#) (8p)

[4. Capillary](#) (9p)

[5. Special Inner diameter Ferrule](#) (10p)

Contents in this list are subject to change without notice. It is recommended to confirm the latest information at the time of usage.
We may not be able to accept requests based on old list.

1. Single Mode Ferrule

■ Inquiry Code

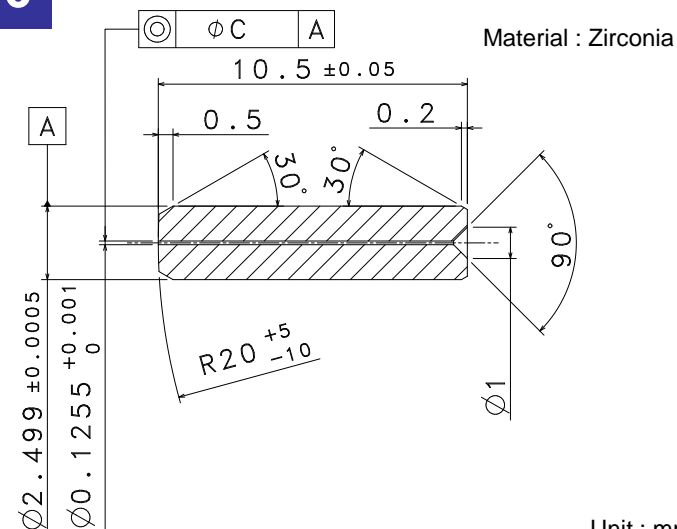
K C - **S** - -

Type **Flange** **Concentricity (C)**

- | | | |
|--|--------------------|------------|
| 1 : SC / FC PC | 0 : Without Flange | 1 : 0.0010 |
| 2 : SC / FC Pencil | 1 : With Flange | 2 : 0.0014 |
| 3 : SC / FC Step | | |
| 4 : ST PC | | |
| 5 : LC | | |
| 6 : MU | | |
| 7 : MU (for so-called "Low Cost MU Connector") | | |

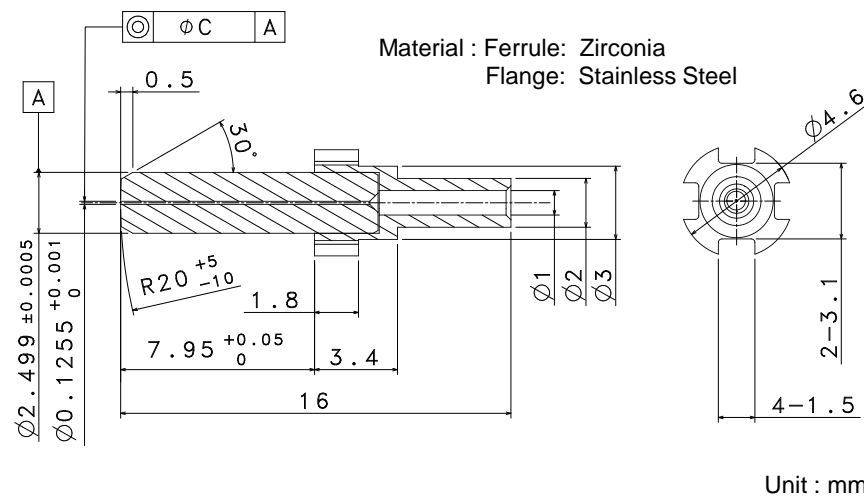
KC1S-0

For SC / FC Connector, PC, without Flange



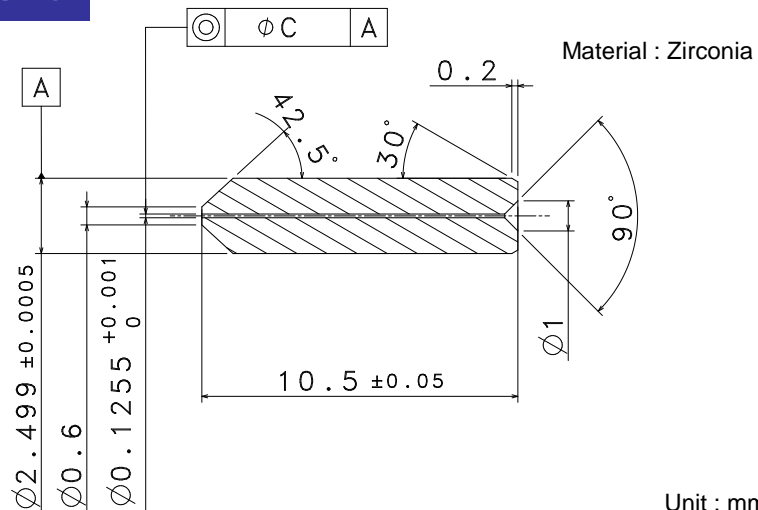
KC1S-1

For SC / FC Connector, PC, with Flange



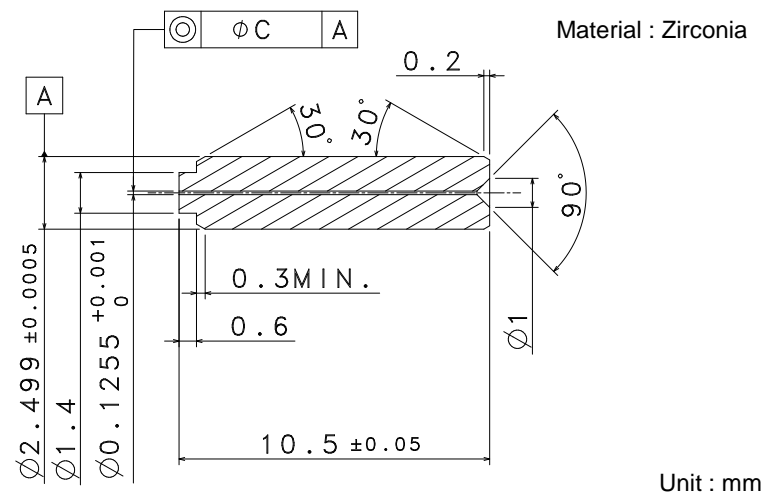
KC2S-0

For SC / FC Connector, Pencil, without Flange



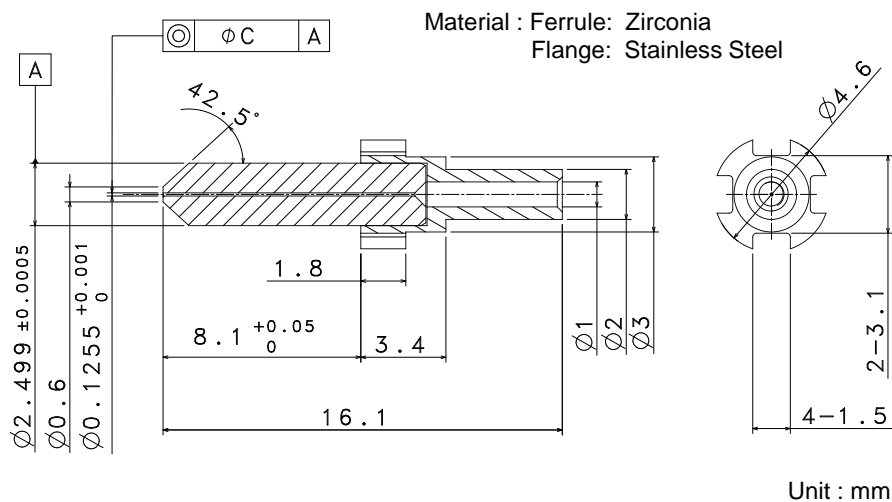
KC3S-0

For SC / FC Connector, Step, without Flange



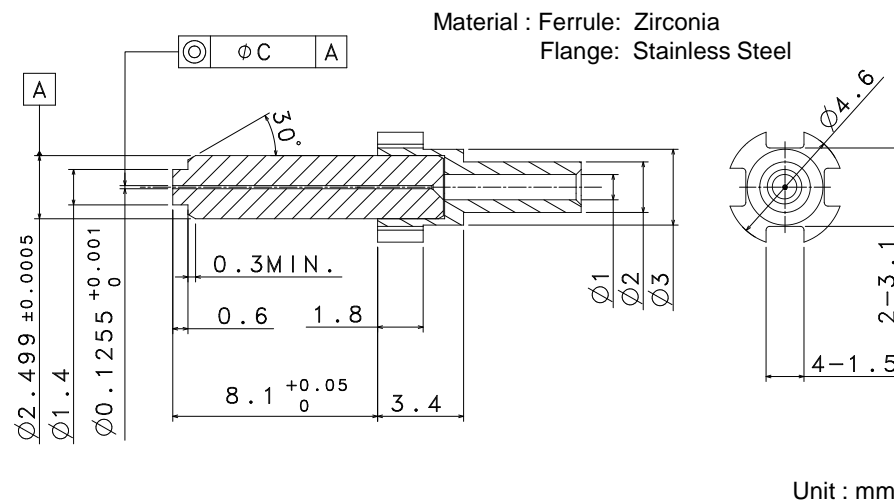
KC2S-1

For SC / FC Connector, Pencil, with Flange

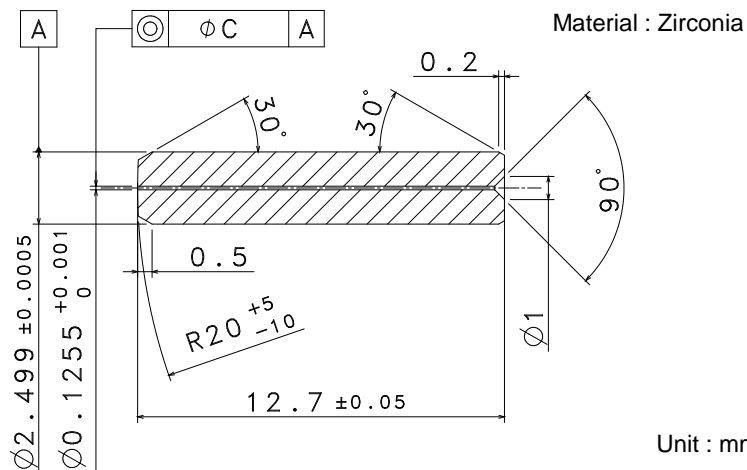


KC3S-1

For SC / FC Connector, Step, with Flange

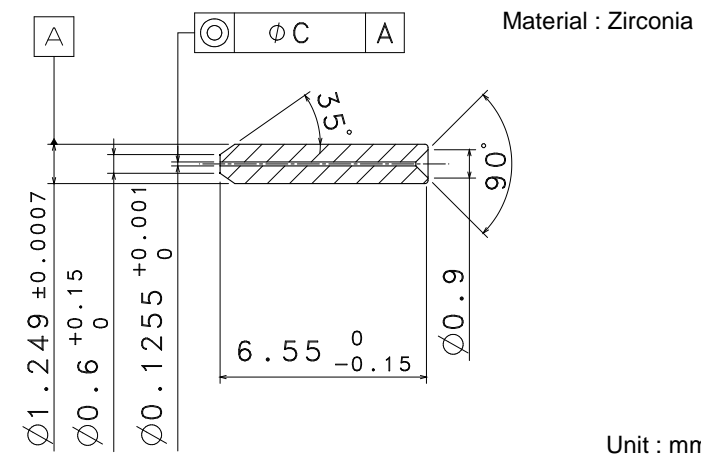


KC4S-0 For ST Connector, PC, without Flange

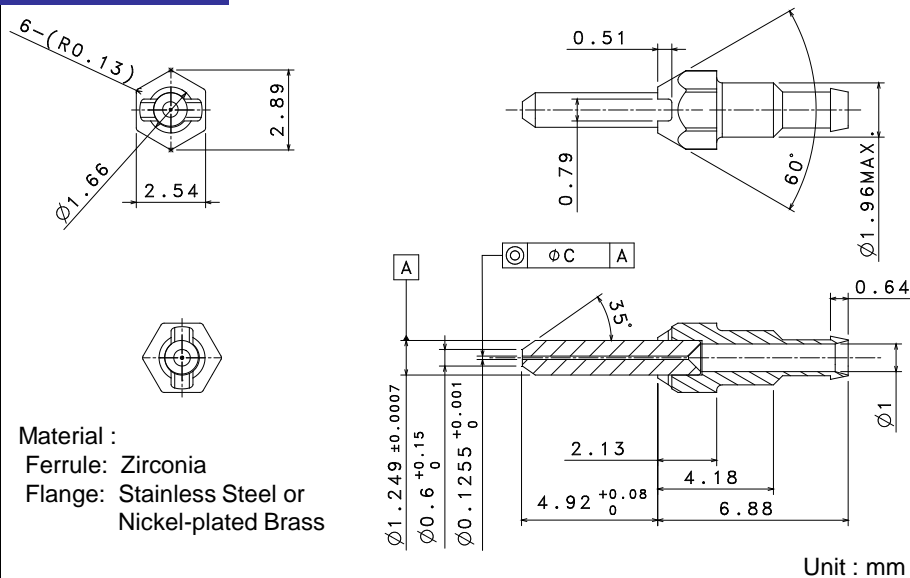


ST is a registered trademark of Furukawa Electric North America, Inc. in the United States of America.

KC5S-0 For LC Connector, without Flange

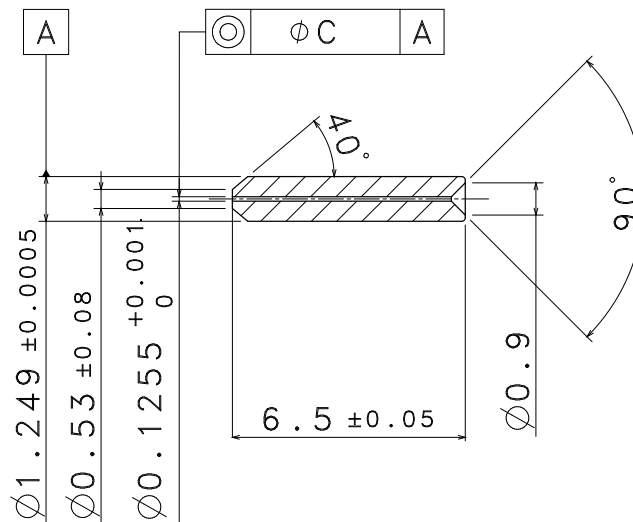


KC5S-1 For LC Connector, with Flange



KC6S-0

For MU Connector, without Flange

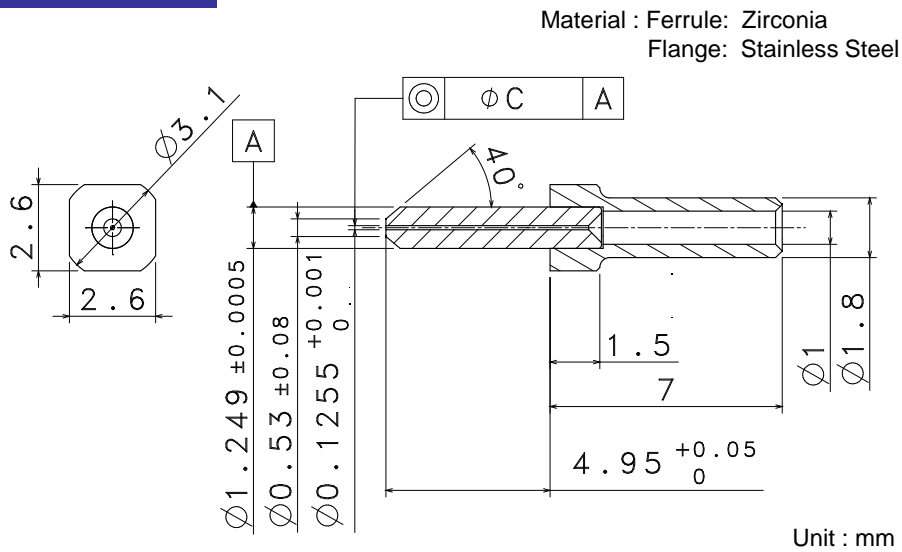


Material : Zirconia

Unit : mm

KC6S-1

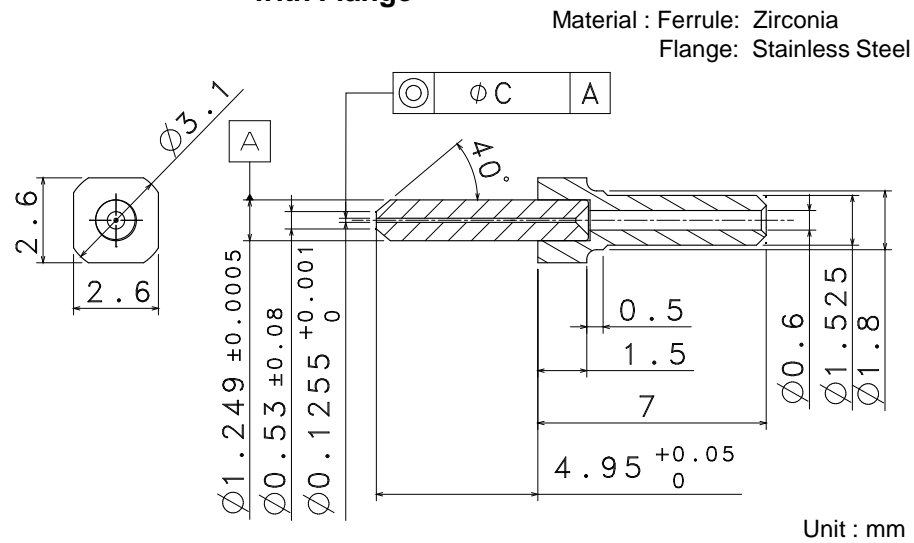
For MU Connector, with Flange



Unit : mm

KC7S-1

For so-called "Low Cost MU Connector",
with Flange



Unit : mm

2. Multimode Ferrule

■ Inquiry Code

K C **M** -

Type

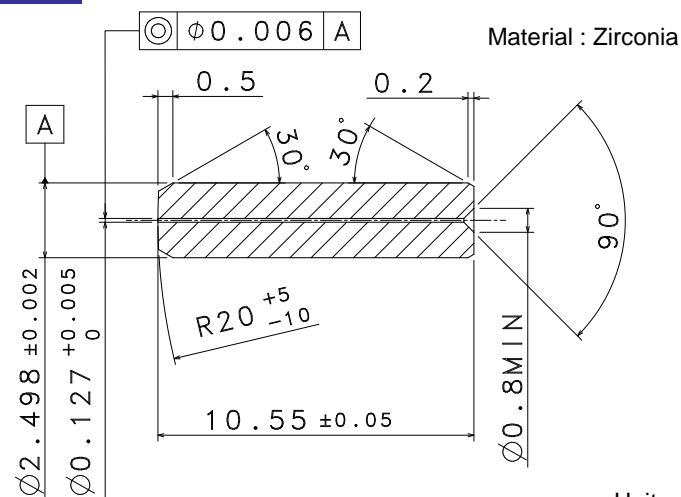
- 1 : SC / FC PC
- 2 : ST PC
- 3 : LC

Flange

- 0 : Without Flange
- 1 : With Flange

KC1M-0

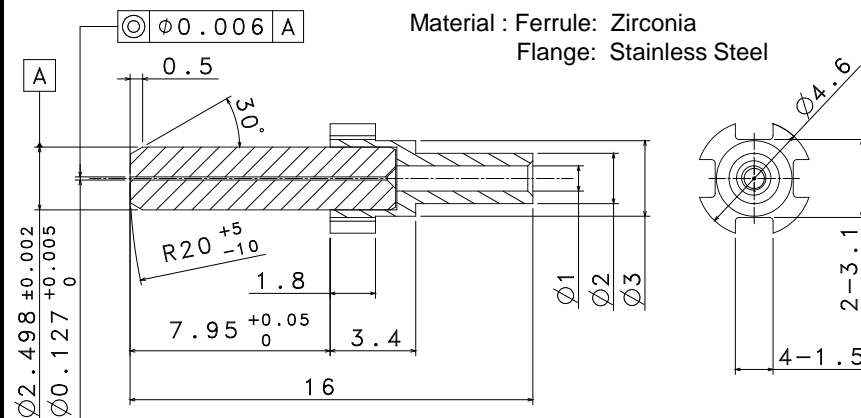
For SC / FC Connector, PC, without Flange



Unit : mm

KC1M-1

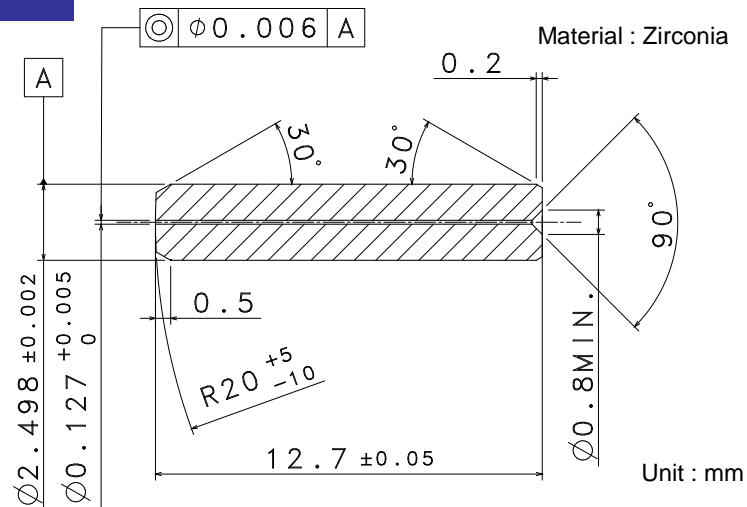
For SC / FC Connector, PC, with Flange



Unit : mm

KC2M-0

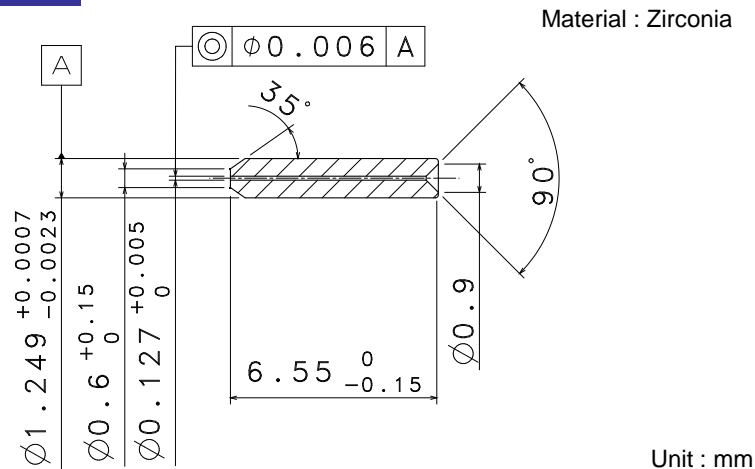
For ST Connector, PC, without Flange



ST is a registered trademark of Furukawa Electric North America, Inc. in the United States of America.

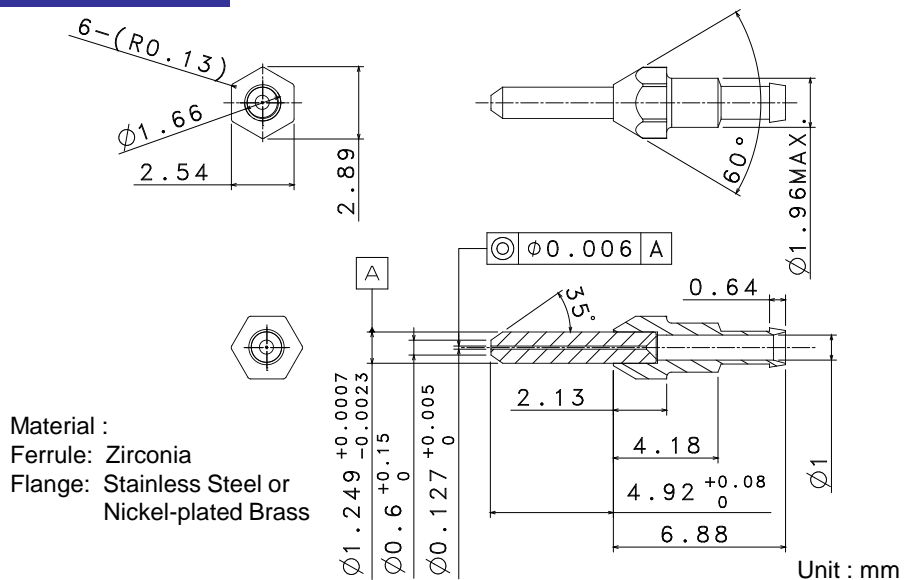
KC3M-0

For LC Connector, without Flange



KC3M-1

For LC Connector, with Flange



3. Ferrule for Attenuator

■ Inquiry Code

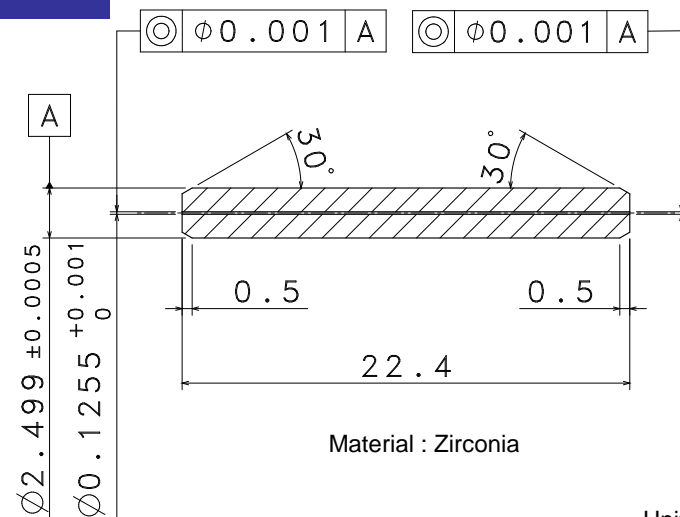
K C A T -

Outer Diameter

1. $\Phi 2.5$
2. $\Phi 1.25$

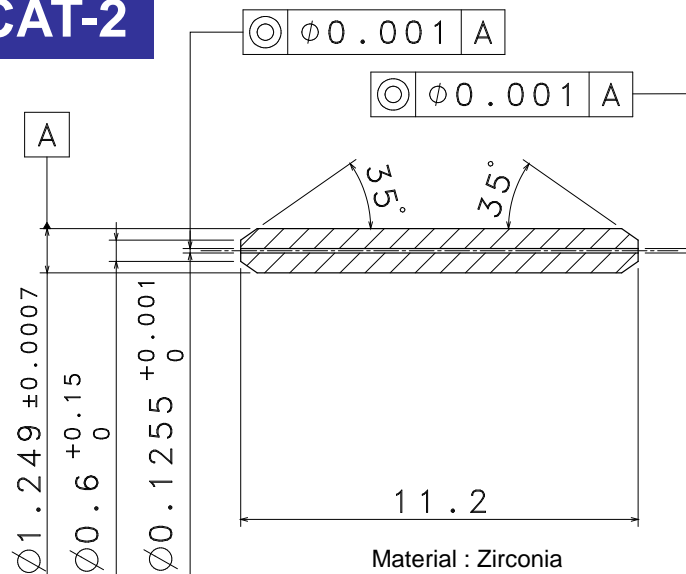
■ For other length, please contact a KYOCERA sales engineer.

KCAT-1



Unit : mm

KCAT-2

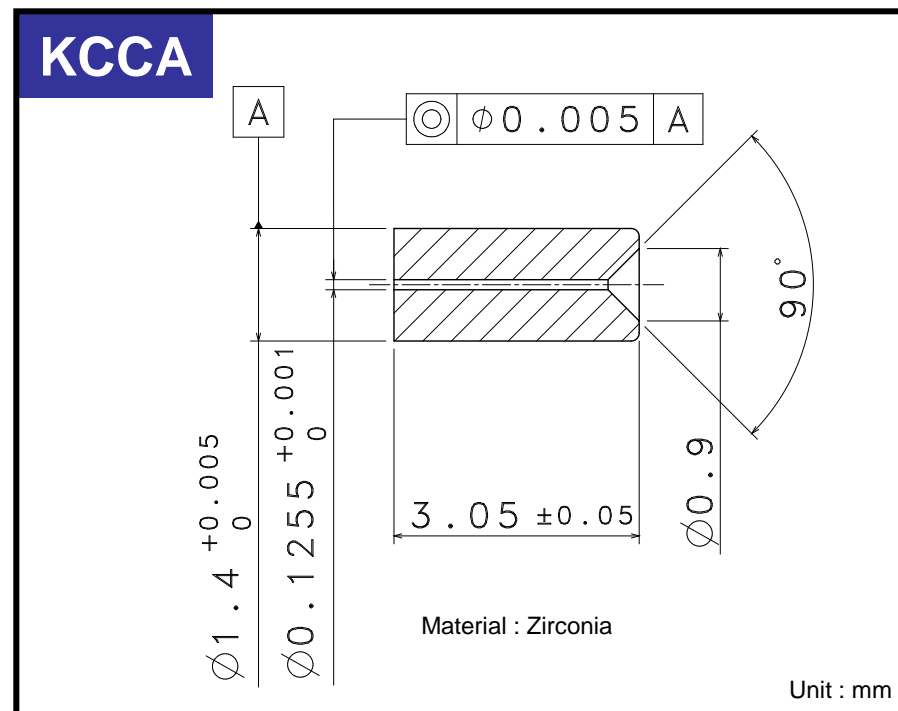


Unit : mm

4. Capillary

■ Inquiry Code

K C C A



5. Special Inner diameter Ferrule

Inquiry Code

KCSD - -

Type

1: $\Phi 2.5$

2: $\Phi 1.25$

Please refer to table 1.

Table 1. Φd , ΦC

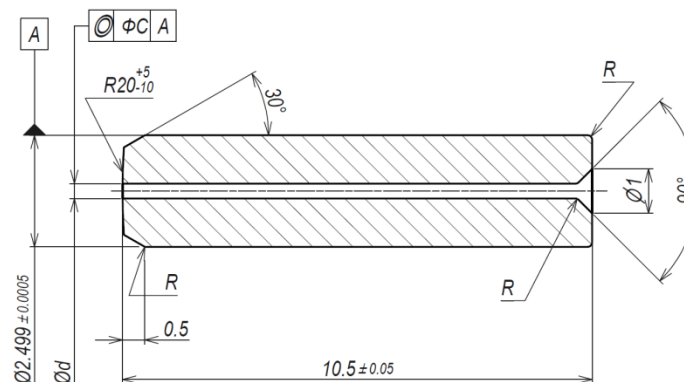
No.	Φd [mm]	ΦC [mm]
1	0.080 +0.001/0	0.001
2	0.144 +0.002/0	0.001
3	0.231 +0.004/0	0.004
4	0.254 +0.004/0	0.004
5	0.331 +0.005/0	0.005
6	0.336 +0.005/0	0.005
7	0.435 +0.010/0	0.010

Custom design is also available.

KCSD-1

For $\Phi 2.5$ Connector , PC, without Flange

Material : Zirconia

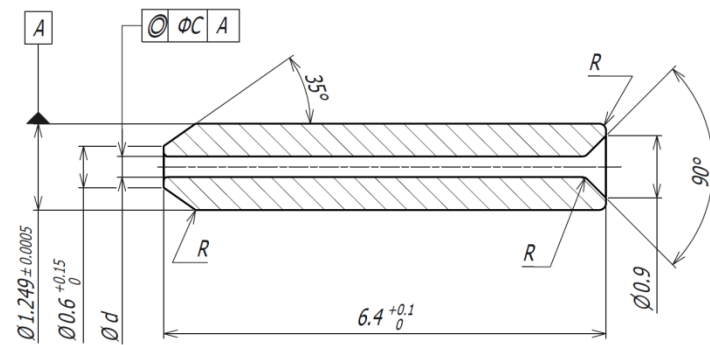


Unit : mm

KCSD-2

For $\Phi 1.25$ Connector, without Flange

Material : Zirconia



Unit : mm