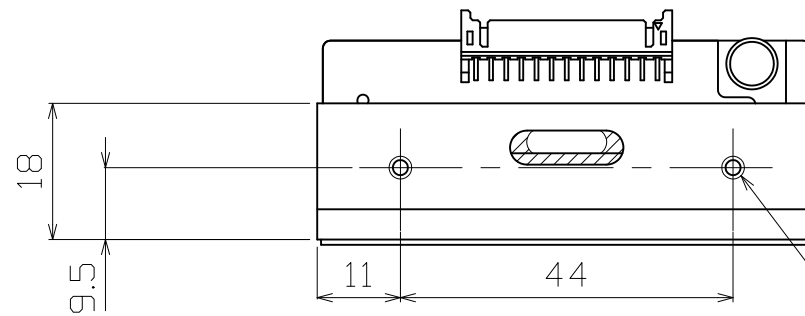


MAGNIFIED VIEW OF PART "A" (2/1)



2-M3 DEPTH 3.5MIN

KPE-57-24GAG4-PFS