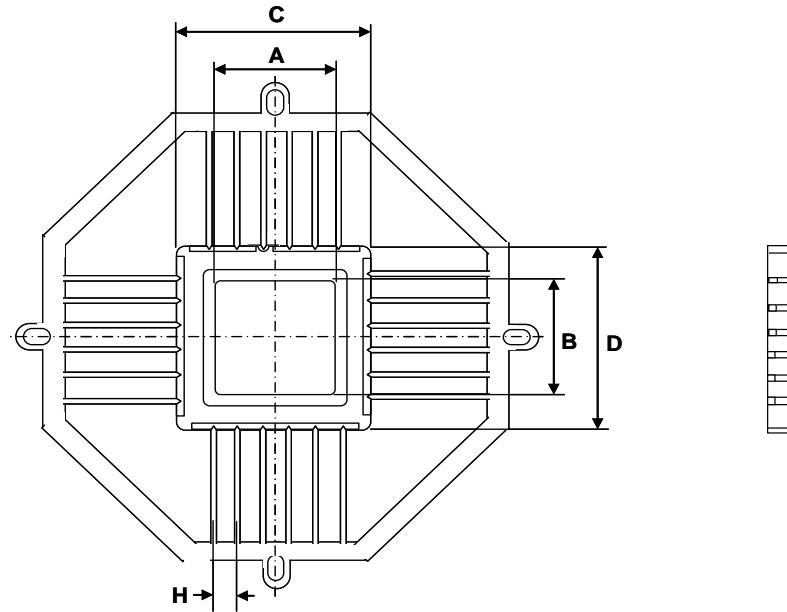


# KYOCERA C-QFP (CERAMIC QUAD FLAT PACKAGES)



Inquiries about this list



Unit: mm [Please click here for inch dimensions](#)

#=Connected pin number  
N=No Metallization  
0=No Connection

R0163C

| LEAD COUNT | CAVITY           |                              | OVERALL C x D | LAYER THICKNESS |      |     |       | LEAD PITCH H | KYOCERA CERAMIC MATERIAL CODE<br>A440: Black<br>A473: White | CONNECTION |            | DRAWING NUMBER |
|------------|------------------|------------------------------|---------------|-----------------|------|-----|-------|--------------|---|------------|------------|----------------|
|            | DIE CAVITY A x B | W/B TIER SINGLE(S) DOUBLE(D) |               | 1ST             | 2ND  | 3RD | TOTAL |              |   | SEAL RING  | DIE ATTACH |                |
| 24         | 5.97SQ           | S                            | 10.16SQ       | 0.51            | 0.76 | -   | 1.65  | 1.27         | A440  | 0          | 0          | PB-F85444      |
| 32         | 6.35SQ           | S                            | 10.67SQ       | 0.38            | 0.38 | -   | 1.27  | 1.02         | A440  | 0          | 0          | PB-F87012      |
| 44         | 7.62SQ           | S                            | 16.51SQ       | 0.51            | 0.51 | -   | 1.65  | 1.27         | A440  | 0          | 0          | PB-12941-C     |
| 48         | 8.89SQ           | S                            | 14.22SQ       | 0.76            | 0.38 | -   | 1.65  | 1.02         | A440  | 0          | 0          | PB-F86321      |
| 64         | 6.35SQ           | S                            | 17.78SQ       | 0.51            | 0.51 | -   | 1.52  | 1.02         | A440  | 0          | 0          | PB-F86053      |
| 64         | 8.13SQ           | S                            | 17.78SQ       | 0.51            | 0.51 | -   | 1.52  | 1.02         | A440  | 0          | 0          | PB-23866       |

Unit: mm [Please click here for inch dimensions](#)

#=Connected pin number

N=No Metallization

0=No Connection

R0163C

| LEAD COUNT | CAVITY           |                              | OVERALL C x D | LAYER THICKNESS |      |      |       | LEAD PITCH H | KYOCERA CERAMIC MATERIAL CODE<br>A440: Black<br>A473: White | CONNECTION |                                 | DRAWING NUMBER |
|------------|------------------|------------------------------|---------------|-----------------|------|------|-------|--------------|---|------------|---------------------------------|----------------|
|            | DIE CAVITY A x B | W/B TIER SINGLE(S) DOUBLE(D) |               | 1ST             | 2ND  | 3RD  | TOTAL |              |   | SEAL RING  | DIE ATTACH                      |                |
| 68         | 8.89SQ           | S                            | 24.13SQ       | 0.51            | 0.64 | -    | 2.16  | 1.27         | A440  | 0          | 0                               | PB-F86113-A    |
| 84         | 9.91SQ           | S                            | 29.21SQ       | 0.51            | 0.51 | -    | 2.03  | 1.27         | A440  | 0          | 0                               | PB-F85642      |
| 84         | 11.94SQ          | S                            | 29.21SQ       | 0.51            | 0.51 | -    | 2.03  | 1.27         | A440  | 0          | 0                               | PB-44795       |
| 100        | 9.02SQ           | S                            | 19.05SQ       | 0.51            | 0.51 | -    | 1.65  | 0.64         | A440  | 0          | 0                               | PB-F95084      |
| 132        | 10.16SQ          | S                            | 24.13SQ       | 0.64            | 0.51 | -    | 1.91  | 0.64         | A440  | 0          | 0                               | PB-F86099-A    |
| 132        | 11.43SQ          | S                            | 24.13SQ       | 0.64            | 0.51 | -    | 1.91  | 0.64         | A440  | 0          | 0                               | PB-F86259-A    |
| 172        | 12.19SQ          | D                            | 29.21SQ       | 0.51            | 0.38 | 0.51 | 2.29  | 0.64         | A440  | 0          | 0                               | PB-F87269-A    |
| 196        | 11.81SQ          | D                            | 34.29SQ       | 0.25            | 0.25 | 0.64 | 2.03  | 0.64         | A440  | N          | 27, 72, 76,<br>124, 170,<br>174 | PB-F85221-C    |