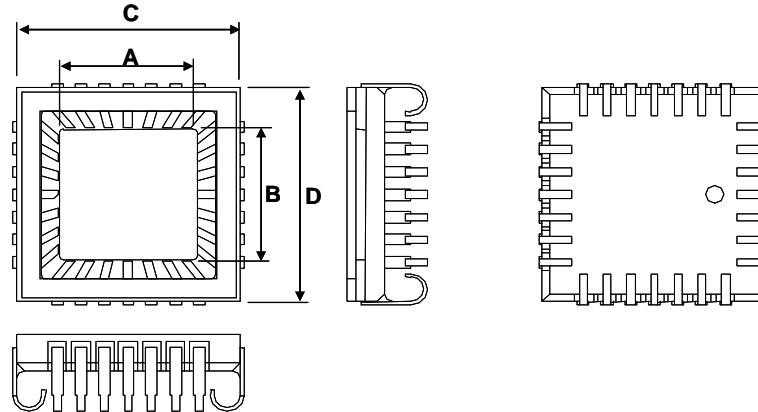


KYOCERA C-QFJ (CERAMIC QUAD FLAT J-LEADED PACKAGES)



Inquiries about this list

Unit : mm [Please click here for inch dimensions.](#)

N=No Metallization

0=No Connection

R0167C

LEAD COUNT	DIE CAVITY A x B	OVERALL C x D	LAYER THICKNESS				LEAD		KYOCERA CERAMIC MATERIAL CODE A440: Black	CONNECTION		DRAWING NUMBER
			1ST	2ND	3RD	TOTAL	STAND OFF HEIGHT	PITCH		SEAL RING	DIE ATTACH	
28	4.06 X 3.56	11.43SQ	0.51	0.51	0.51	1.52	0.89	1.27	A440	0	0	PB-F86193
28	6.10SQ	11.43SQ	0.51	0.51	0.51	1.52	0.89	1.27	A440	0	0	PB-F87048
28	6.86SQ	11.43SQ	0.51	0.51	0.76	1.78	1.98	1.27	A440	0	0	PB-F86256
28	7.37SQ	12.04SQ	0.51	0.51	1.02	2.03	2.29	1.27	A440	0	0	PB-F88345
44	6.35SQ	16.51SQ	0.51	0.51	0.64	1.65	0.91	1.27	A440	0	0	PB-F86079
44	7.62SQ	16.51SQ	0.51	0.51	0.64	1.65	1.02	1.27	A440	0	0	PB-F86090-A
44	7.62SQ	16.51SQ	0.51	0.51	0.51	1.52	1.14	1.27	A440	0	0	PB-F86091
44	8.64SQ	16.51SQ	0.51	0.64	0.64	1.78	0.89	1.27	A440	0	0	PB-F86315
44	8.64SQ	16.51SQ	0.51	0.64	0.64	1.78	0.89	1.27	A440	0	0	PB-F86767
44	10.16SQ	16.51SQ	0.51	0.51	0.64	1.65	1.02	1.27	A440	0	0	PB-F86641
44	11.18SQ	16.51SQ	0.51	0.64	0.64	1.78	0.89	1.27	A440	0	0	PB-F87049

Unit : mm [Please click here for inch dimensions.](#)

N=No Metallization

0=No Connection

R0167C

LEAD COUNT	DIE CAVITY A x B	OVERALL C x D	LAYER THICKNESS				LEAD		KYOCERA CERAMIC MATERIAL CODE A440: Black	CONNECTION		DRAWING NUMBER
			1ST	2ND	3RD	TOTAL	STAND OFF HEIGHT	PITCH		SEAL RING	DIE ATTACH	
48	6.60SQ	14.22SQ	0.64	0.64	0.76	2.03	0.89	1.02	A440	0	0	PB-F88206
52	7.62SQ	19.05SQ	0.51	0.64	0.51	1.65	0.89	1.27	A440	0	0	PB-F90273
52	8.89SQ	19.05SQ	0.51	0.51	0.51	1.52	0.89	1.27	A440	0	0	PB-F86237
68	7.62SQ	24.13SQ	0.51	0.51	1.02	2.03	0.89	1.27	A440	0	0	PB-F86320-A
68	8.26SQ	24.13SQ	0.51	0.76	0.76	2.03	0.89	1.27	A440	0	0	PB-F85652
68	10.16SQ	24.13SQ	0.51	0.64	0.89	2.03	0.89	1.27	A440	0	0	PB-F86764
68	10.16SQ	24.13SQ	0.51	0.51	1.02	2.03	0.89	1.27	A440	0	0	PB-F87530-A
68	11.68SQ	24.13SQ	0.51	0.51	1.02	2.03	0.89	1.27	A440	0	0	PB-F87032
68	11.94SQ	24.13SQ	0.51	0.51	1.02	2.03	0.89	1.27	A440	0	0	PB-F86635
84	7.62SQ	29.21SQ	0.51	0.64	0.89	2.03	0.89	1.27	A440	0	0	PB-F88432
84	7.62SQ	29.21SQ	0.76	0.38	0.51	1.65	2.16	1.27	A440	0	0	PB-F86074
84	7.62SQ	29.21SQ	0.51	0.51	1.02	2.03	1.78	1.27	A440	0	0	PB-F86319
84	11.68SQ	29.21SQ	0.51	0.76	0.76	2.03	0.89	1.27	A440	0	0	PB-F86521-A
84	12.70SQ	29.21SQ	0.51	0.76	0.76	2.03	1.78	1.27	A440	0	0	PB-F86475