

KYOCERA CERQUAD® PACKAGES

Notes (1) Die Attach Cavity Option: Bare Ceramic Surface or Gold Paste

(2) Leadframe Surface Finish Option: Aluminum Thin Film Deposition on Wire Bond Area or Electrolytic Gold Plating on All the Surface of Leadframes

(3) CERQUAD is a registered trademark of KYOCERA Corporation.



[Inquiries about this list](#)

UNIT : inch [Click here for metric dimensions](#)

R0165E

LEAD COUNT	CAVITY Length E	CAVITY WIDTH D	CAVITY DEPTH F	CERAMIC LENGTH B	CERAMIC WIDTH A	CERAMIC THICKNESS C	EXTERNAL LEAD PITCH P	EXTERNAL LEAD WIDTH W	LEAD TIP TO TIP G	LEAD TIP TO TIP H	CORNER SHAPE	WINDOW FRAME	BEND FORM	REFERENCE	PACKAGE DRAWING NUMBER	MATCHING GLASS SEAL CERAMIC LID	MATCHING EPOXY SEAL CERAMIC LID
20	.205	.205	.015	.375	.375	.036	.050	.019	.405	.405	A		J		QC-020203-J	BE-02404	
28	.250	.250	.015	.450	.450	.050	.050	.019	.488	.488	B		J		QC-028237-J	KKC-10682	
28	.270	.270	.015	.450	.450	.050	.050	.019	.488	.488	B		J		QC-028232-J-2	KKC-10682	
28	.310	.310	.015	.450	.450	.050	.050	.019	.488	.488	B		J		QC-028235-J	KKC-10682	
32	.290	.225	.015	.550	.450	.040	.050	.019	.588	.488	B		J		QC-032233-J	KKC-10712	
32	.300	.280	.015	.550	.450	.040	.050	.019	.588	.488	B		J		QC-032215-J	KKC-10712	
32	.337	.316	.015	.550	.450	.040	.050	.019	.588	.488	B		J		QC-032211-J-1	KKC-10712	
44	.220	.220	.015	.394	.394	.050	.031	.016			B	YES	F		QC-044341-W	KKC-10774	KO-LID110202
44	.285	.285	.015	.550	.550	.050	.039	.016	1.157	1.118	C	YES	Z	WITH TIE-BAR	QC-044301-WZ	KKC-10453	KE-81714
44	.300	.300	.015	.650	.650	.050	.050	.019	.688	.688	B		J		QC-044248-J-1	KKC-10683	
44	.400	.400	.015	.650	.650	.050	.050	.019	.688	.688	B		J		QC-044249-J-1	KKC-10683	
44	.430	.430	.015	.650	.650	.050	.050	.019	.688	.688	B		J		QC-044253-J-1	KKC-10683	
44	.450	.450	.015	.650	.650	.050	.050	.019	.688	.688	B		J		QC-044250-J-1	KKC-10683	
44	.250	.250	.015	.650	.650	.050	.050	.019	.688	.688	B		J		QC-044276-J	KKC-10683	
48	.285	.285	.015	.550	.550	.040	.040	.019	.600	.600	B		J		QC-048303-J	KKC-10497	
48	.285	.285	.015	.550	.550	.037	.039	.014	1.157	1.118	B	YES	Z	WITH TIE-BAR	QC-048304-WZ-2	KKC-10497	KE-91473-1
48	.385	.385	.015	.550	.550	.037	.039	.014	1.157	1.118	B	YES	Z	WITH TIE-BAR	QC-048305-WZ-2	KKC-10497	KE-91473-1
52	.285	.285	.015	.550	.550	.050	.039	.016	.733	.733	C	YES	Z		QC-052305-WZ	KKC-10453	KE-81714
52	.400	.400	.015	.750	.750	.050	.050	.019	.788	.788	B		J		QC-052215-J-1	KKC-10671	
52	.550	.550	.015	.750	.750	.050	.050	.019	.788	.788	B		J		QC-052218-J	KKC-10671	
64	.220	.220	.015	.394	.394	.049	.020	.008	.488	.488	B	YES	Z		QC-064347-WZ	KKC-10774	KO-LID110202
64	.285	.285	.015	.550	.550	.037	.032	.014	1.157	1.118	B	YES	Z	WITH TIE-BAR	QC-064307-WZ	KKC-10497	KE-91473-1
64	.385	.385	.015	.550	.550	.037	.032	.014	1.157	1.118	B	YES	Z	WITH TIE-BAR	QC-064308-WZ-1	KKC-10497	KE-91473-1
64	.385	.385	.015	.550	.550	.037	.032	.014	.645	.645	B	YES	Z		QC-064315-WZ	KKC-10497	KE-91473-1
64	.279	.279	.016	.787	.551	.037	.039	.014	1.291	1.011	B	YES	Z	WITH TIE-BAR	QC-064305-WZ	KKC-10384	KE-91473-1
64	.353	.353	.016	.787	.551	.037	.039	.014	1.291	1.011	B	YES	Z	WITH TIE-BAR	QC-064306-WZ	KKC-10384	KE-90655
64	.353	.353	.016	.787	.551	.037	.039	.014	.940	.705	B	YES	Z		QC-064311-WZ	KKC-10384	KE-90655
68	.400	.400	.015	.950	.950	.050	.050	.019	.988	.988	B		J		QC-068271-J-1	KKC-10571	
68	.475	.475	.015	.950	.950	.050	.050	.019	.988	.988	B		J		QC-068263-J-2	KKC-10571	
68	.650	.650	.015	.950	.950	.050	.050	.019	.988	.988	B	YES	J		QC-068285-WJ	KKC-10899-1	KE-90456
80	.386	.386	.015	.550	.550	.037	.026	.012	.669	.669	B	YES	Z		QC-080324-WZ	KKC-10497	KE-91473-1
80	.386	.386	.015	.550	.550	.037	.026	.012	1.187	1.147	B	YES	Z	WITH TIE-BAR	QC-080333-WZ	KKC-10497	KE-91473-1
80	.280	.280	.016	.787	.551	.037	.032	.014	1.291	1.012	B	YES	Z	WITH TIE-BAR	QC-080312-WZ	KKC-10384	KE-90655
80	.280	.280	.016	.787	.551	.037	.032	.014	1.055	.823	B	YES	Z		QC-080314-WZ	KKC-10384	KE-90655
80	.354	.354	.016	.787	.551	.037	.032	.014	1.291	1.012	B	YES	Z	WITH TIE-BAR	QC-080311-WZ-1	KKC-10384	KE-90655
80	.354	.354	.016	.787	.551	.037	.032	.014	.941	.705	B	YES	Z		QC-080318-WZ	KKC-10384	KE-90655
80	.433	.354	.016	.787	.551	.037	.032	.014	1.291	1.012	B	YES	Z	WITH TIE-BAR	QC-080306-WZ-3	KKC-10384	KE-90655
80	.433	.354	.016	.787	.551	.037	.032	.014	.941	.705	B	YES	Z		QC-080326-WZ	KKC-10384	KE-90655
84	.300	.300	.015	1.150	1.150	.050	.050	.019	1.180	1.180	B		J		QC-084222-J	KKC-10577	
84	.400	.400	.015	1.150	1.150	.050	.050	.019	1.180	1.180	B	YES	J		QC-084206-WJ-1	KKC-10312	KE-91175
84	.450	.450	.015	1.150	1.150	.050	.050	.019	1.180	1.180	B	YES	J		QC-084202-WJ-1	KKC-10312	KE-91175
84	.450	.450	.015	1.150	1.150	.050	.050	.019	1.188	1.188	B		J		QC-084228-J	KKC-10577	

Notes (1) Die Attach Cavity Option: Bare Ceramic Surface or Gold Paste

(2) Leadframe Surface Finish Option: Aluminum Thin Film Deposition on Wire Bond Area or Electrolytic Gold Plating on All the Surface of Leadframes

(3) CERQUAD is a registered trademark of KYOCERA Corporation.



Inquiries about this list

UNIT : inch [Click here for metric dimensions](#)

R0165E

LEAD COUNT	CAVITY Length E	CAVITY WIDTH D	CAVITY DEPTH F	CERAMIC LENGTH B	CERAMIC WIDTH A	CERAMIC THICKNESS C	EXTERNAL LEAD PITCH P	EXTERNAL LEAD WIDTH W	LEAD TIP TO TIP G	LEAD TIP TO TIP H	CORNER SHAPE	WINDOW FRAME	BEND FORM	REFERENCE	PACKAGE DRAWING NUMBER	MATCHING GLASS SEAL CERAMIC LID	MATCHING EPOXY SEAL CERAMIC LID
84	.470	.470	.015	1.150	1.150	.050	.050	.019	1.180	1.180	B	YES	J		QC-084245-WJ	KKC-10312	KE-91175
84	.510	.510	.015	1.150	1.150	.050	.050	.019	1.180	1.180	B		J		QC-084224-J	KKC-10577	
100	.386	.386	.015	.550	.550	.037	.020	.008	.669	.669	B	YES	Z		QC-100364-WZ	KKC-10497	KE-91473-1
100	.386	.386	.015	.550	.550	.037	.020	.008	1.181	1.142	B	YES	Z	WITH TIE-BAR	QC-100367-WZ	KKC-10497	KE-91473-1
100	.280	.280	.016	.787	.551	.037	.026	.014	1.055	.823	B	YES	Z		QC-100322-WZ	KKC-10384	KE-90655
100	.280	.280	.016	.787	.551	.037	.026	.014	1.291	1.012	B	YES	Z	WITH TIE-BAR	QC-100338-WZ	KKC-10384	KE-90655
100	.311	.311	.016	.787	.551	.037	.026	.014	1.291	1.012	B	YES	Z	No.1 PIN WITH TIE-BAR	QC-100348-WZ	KKC-10384	KE-90655
100	.354	.354	.016	.787	.551	.037	.026	.014	1.291	1.012	B	YES	Z	WITH TIE-BAR	QC-100316-WZ	KKC-10384	KE-90655
100	.354	.354	.016	.787	.551	.037	.026	.014	.941	.705	B	YES	Z		QC-100333-WZ	KKC-10384	KE-90655
100	.433	.354	.016	.787	.551	.037	.026	.014	1.291	1.012	B	YES	Z	No.1 PIN WITH TIE-BAR	QC-100346-WZ	KKC-10384	KE-90655
100	.433	.354	.016	.787	.551	.037	.026	.014	.941	.705	B	YES	Z		QC-100334-WZ	KKC-10384	KE-90655
100	.433	.354	.016	.787	.551	.037	.026	.014	.941	.705	B	YES	Z	No.1 PIN	QC-100354-WZ	KKC-10384	KE-90655
120	.320	.320	.015	1.102	1.102	.050	.032	.014	1.644	1.604	B	YES	Z	WITH TIE-BAR	QC-120309-WZ	KKC-10430	KE-91033
120	.402	.402	.015	1.102	1.102	.050	.032	.014	1.644	1.604	B	YES	Z	WITH TIE-BAR	QC-120312-WZ	KKC-10430	KE-91033
120	.460	.460	.015	1.102	1.102	.050	.032	.014	1.644	1.604	B	YES	Z	WITH TIE-BAR	QC-120304-WZ	KKC-10430	KE-91033
120	.460	.460	.015	1.102	1.102	.050	.032	.014	1.260	1.260	B	YES	Z		QC-120308-WZ	KKC-10430	KE-91033
120	.551	.551	.015	1.102	1.102	.050	.032	.014	1.644	1.604	B	YES	Z	WITH TIE-BAR	QC-120319-WZ	KKC-10430	KE-91033
120	.551	.551	.015	1.102	1.102	.050	.031	.014	1.260	1.260	B	YES	Z		QC-120368-WZ	KKC-10430	KE-91033
124	.450	.450	.015	.950	.950	.050	.025	.012	1.210	1.210	C	YES	Z		QC-124416-WZ	KKC-10312	KE-91250
128	.433	.354	.016	.787	.551	.037	.020	.008	.941	.705	B	YES	Z		QC-128318-WZ	KKC-10384	KE-90655
128	.433	.354	.016	.787	.551	.037	.020	.008	1.291	1.012	B	YES		WITH TIE-BAR	QC-128325-WZ	KKC-10384	KE-90655
128	.402	.402	.015	1.071	1.071	.050	.031	.014	1.644	1.604	B	YES	Z	WITH TIE-BAR	QC-128337-WZ	KKC-10430	KE-91033
128	.591	.591	.015	1.071	1.071	.050	.031	.014	1.644	1.604	B	YES	Z	WITH TIE-BAR	QC-128351-WZ	KKC-10430	KE-91033
128	.402	.402	.015	1.102	1.102	.050	.032	.014			B	YES	F	No.1 PIN	QC-128309-W-1	KKC-10430	KE-91033
128	.402	.402	.015	1.102	1.102	.050	.032	.014	1.644	1.604	B	YES	Z	No.1 PIN WITH TIE-BAR	QC-128311-WZ	KKC-10430	KE-91033
128	.512	.512	.015	1.102	1.102	.050	.032	.014	1.644	1.604	B	YES	Z	WITH TIE-BAR	QC-128303-WZ	KKC-10430	KE-91033
128	.512	.512	.015	1.102	1.102	.050	.032	.014	1.260	1.260	B	YES	Z		QC-128307-WZ	KKC-10430	KE-91033
128	.591	.591	.015	1.102	1.102	.050	.032	.014	1.260	1.260	B	YES	Z		QC-128312-WZ	KKC-10430	KE-91033
128	.591	.591	.015	1.102	1.102	.050	.032	.014	1.644	1.604	B	YES	Z	WITH TIE-BAR	QC-128317-WZ	KKC-10430	KE-91033
128	.402	.402	.015	1.102	1.102	.050	.032	.014	1.260	1.260	B	YES	Z	No.1 PIN	QC-128321-WZ	KKC-10430	KE-91033
132	.450	.450	.015	.872	.872	.050	.025	.012			A	YES	F		QC-132414-W-1	KKC-10444	KE-90163
132	.450	.450	.015	.950	.950	.050	.025	.012			C	YES	F		QC-132419-W	KKC-10312	KE-91250
132	.580	.580	.015	.950	.950	.050	.025	.012			B	YES	F		QC-132431-W	KKC-10899-1	KE-91321-P-2
144	.512	.512	.015	.756	.756	.043	.020	.008	.866	.866	B	YES	Z		QC-144362-WZ	KKC-10312	KE-91175
144	.512	.512	.015	.756	.756	.043	.020	.008	1.661	1.621	B	YES	Z	WITH TIE-BAR	QC-144381-WZ	KKC-10312	KE-91175
144	.472	.472	.015	.756	.756	.043	.020	.008	1.661	1.621	B	YES	Z	WITH TIE-BAR	QC-144398-WZ	KKC-10312	KE-91175
144	.551	.551	.015	.756	.756	.043	.020	.008	.866	.866	B	YES	Z		QC-144528-WZ	KKC-10312	KE-91175
144	.402	.402	.015	1.071	1.071	.050	.026	.012	1.644	1.604	B	YES	Z	WITH TIE-BAR	QC-144375-WZ	KKC-10430	KE-91033
144	.410	.410	.015	1.102	1.102	.050	.026	.012	1.260	1.260	B	YES	Z		QC-144320-WZ	KKC-10430	KE-91033
144	.410	.410	.015	1.102	1.102	.050	.026	.012	1.644	1.604	B	YES	Z	WITH TIE-BAR	QC-144321-WZ	KKC-10430	KE-91033
144	.512	.512	.015	1.102	1.102	.050	.026	.012	1.644	1.604	B	YES	Z	WITH TIE-BAR	QC-144308-WZ	KKC-10430	KE-91033
144	.512	.512	.015	1.102	1.102	.050	.026	.012	1.644	1.604	B	YES	Z	No.1 PIN WITH TIE-BAR	QC-144322-WZ	KKC-10430	KE-91033
144	.512	.512	.015	1.102	1.102	.050	.026	.012	1.260	1.260	B	YES	Z		QC-144310-WZ	KKC-10430	KE-91033
144	.640	.640	.015	1.102	1.102	.050	.026	.012			B	YES	F		QC-144327-W	KKC-10430	KE-91033
144	.410	.410	.015	1.102	1.102	.050	.026	.012			B	YES	F		QC-144343-W	KKC-10430	KE-91033

Notes (1) Die Attach Cavity Option: Bare Ceramic Surface or Gold Paste

(2) Leadframe Surface Finish Option: Aluminum Thin Film Deposition on Wire Bond Area or Electrolytic Gold Plating on All the Surface of Leadframes

(3) CERQUAD is a registered trademark of KYOCERA Corporation.



Inquiries about this list

UNIT : inch [Click here for metric dimensions](#)

R0165E

LEAD COUNT	CAVITY Length E	CAVITY WIDTH D	CAVITY DEPTH F	CERAMIC LENGTH B	CERAMIC WIDTH A	CERAMIC THICKNESS C	EXTERNAL LEAD PITCH P	EXTERNAL LEAD WIDTH W	LEAD TIP TO TIP G	LEAD TIP TO TIP H	CORNER SHAPE	WINDOW FRAME	BEND FORM	REFERENCE	PACKAGE DRAWING NUMBER	MATCHING GLASS SEAL CERAMIC LID	MATCHING EPOXY SEAL CERAMIC LID
144	.591	.591	.015	1.102	1.102	.050	.026	.012	1.644	1.604	B	YES	Z	WITH TIE-BAR	QC-144309-WZ	KKC-10430	KE-91033
160	.472	.472	.015	1.102	1.102	.050	.026	.012	1.644	1.604	B	YES	Z	No.1 PIN WITH TIE-BAR	QC-160323-WZ	KKC-10430	KE-91033
160	.512	.512	.015	1.102	1.102	.050	.026	.012	1.644	1.604	B	YES	Z	WITH TIE-BAR	QC-160305-WZ	KKC-10430	KE-91033
160	.512	.512	.015	1.102	1.102	.050	.026	.012	1.260	1.260	B	YES	Z		QC-160310-WZ	KKC-10430	KE-91033
160	.591	.591	.015	1.102	1.102	.050	.026	.012	1.644	1.604	B	YES	Z	WITH TIE-BAR	QC-160321-WZ	KKC-10430	KE-91033
160	.472	.472	.015	1.102	1.102	.050	.026	.012	1.260	1.260	B	YES	Z		QC-160345-WZ	KKC-10430	KE-91033
160	.591	.591	.015	1.102	1.102	.050	.026	.012	1.260	1.260	B	YES	Z		QC-160351-WZ	KKC-10430	KE-91033
176	.591	.591	.015	.913	.913	.050	.020	.008	1.047	1.047	B	YES	Z		QC-176307-WZ	KKC-10456	KE-91403
176	.512	.512	.015	.913	.913	.050	.020	.008	1.047	1.047	B	YES	Z		QC-176316-WZ	KKC-10456	KE-91403
176	.512	.512	.015	.913	.913	.050	.020	.008	1.639	1.599	B	YES	Z	WITH TIE-BAR	QC-176319-WZ	KKC-10456	KE-91403
176	.472	.472	.015	.913	.913	.050	.020	.008	1.648	1.609	B	YES	Z	WITH TIE-BAR	QC-176334-WZ-1	KKC-10456	KE-91403
176	.472	.472	.015	.913	.913	.050	.020	.008	1.024	1.024	B	YES	Z		QC-176335-WZ	KKC-10456	KE-91403
208	.591	.591	.015	1.071	1.071	.050	.020	.008	1.181	1.181	B	YES	Z		QC-208314-WZ	KKC-10430	KE-91033
208	.650	.650	.015	1.071	1.071	.050	.020	.008	1.644	1.604	B	YES	Z	WITH TIE-BAR	QC-208347-WZ	KKC-10430	KE-91033
208	.551	.551	.015	1.071	1.071	.050	.020	.008	1.644	1.604	B	YES	Z	WITH TIE-BAR	QC-208349-WZ	KKC-10430	KE-91033
208	.591	.591	.015	1.071	1.071	.050	.020	.008	1.644	1.604	B	YES	Z	WITH TIE-BAR	QC-208350-WZ	KKC-10430	KE-91033
208	.650	.650	.015	1.071	1.071	.050	.020	.008	1.181	1.181	B	YES	Z		QC-208388-WZ	KKC-10430	KE-91033
208	.728	.728	.015	1.071	1.071	.050	.020	.008	1.644	1.604	B	YES	Z	WITH TIE-BAR	QC-208398-WZ	KKC-10430	KE-91461
208	.591	.591	.015	1.071	1.071	.050	.020	.008	1.205	1.205	B	YES	Z		QC-2083103-WZ	KKC-10430	KE-91033
208	.728	.728	.015	1.071	1.071	.047	.020	.008	1.607	1.567	B	YES	Z	WITH TIE-BAR CAV DOV	QC-208525-WZ	KKC-10430	KE-91461
208	.472	.472	.015	1.071	1.071	.050	.020	.008	1.644	1.604	B	YES	Z	WITH TIE-BAR	QC-208527-WZ	KKC-10430	KE-91033
208	.591	.591	.015	1.071	1.071	.050	.020	.008	1.205	1.205	B	YES	Z		QC-208346-WZ	KKC-10430	KE-91033
208	.551	.551	.015	1.071	1.071	.050	.020	.008	1.205	1.205	B	YES	Z		QC-208366-WZ	KKC-10430	KE-91033
208	.591	.591	.015	1.071	1.071	.050	.020	.008	1.260	1.260	B	YES	Z		QC-208506-WZ	KKC-10430	KE-91033
208	.650	.650	.015	1.071	1.071	.050	.020	.008	1.205	1.205	B	YES	Z		QC-208526-WZ	KKC-10430	KE-91033
208	.551	.551	.015	1.102	1.102	.050	.020	.008	1.644	1.604	B	YES	Z	WITH TIE-BAR	QC-208309-WZ	KKC-10430	KE-91033
208	.591	.591	.015	1.102	1.102	.050	.020	.008	1.644	1.604	B	YES	Z	WITH TIE-BAR	QC-208319-WZ	KKC-10430	KE-91033
240	.610	.610	.015	1.228	1.228	.055	.020	.008	1.362	1.362	B	YES	Z		QC-240309-WZ	KKC-10799	KO-LID102325
240	.610	.610	.015	1.228	1.228	.055	.020	.008	1.969	1.929	B	YES	Z	WITH TIE-BAR	QC-240326-WZ-1	KKC-10799	KO-LID102325
240	.669	.669	.015	1.228	1.228	.055	.020	.008	1.362	1.362	B	YES	Z		QC-240310-WZ	KKC-10799	KO-LID102325
240	.669	.669	.015	1.228	1.228	.055	.020	.008	1.969	1.929	B	YES	Z	WITH TIE-BAR	QC-240332-WZ	KKC-10799	KO-LID102325
256	.650	.650	.015	1.071	1.071	.050	.016	.006	1.644	1.604	B	YES	Z	WITH TIE-BAR	QC-256319-WZ	KKC-10430	KE-91033
256	.650	.650	.015	1.071	1.071	.050	.016	.006	1.205	1.205	B	YES	Z		QC-256329-WZ	KKC-10430	KE-91033
256	.650	.650	.015	1.071	1.071	.050	.016	.006	1.260	1.260	B	YES	Z		QC-256315-WZ	KKC-10430	KE-91033
304	.787	.787	.015	1.543	1.543	.053	.020	.008	1.677	1.677	B	YES	Z		QC-304304-WZ	KKC-11160	KE-91867
304	.787	.787	.015	1.543	1.543	.053	.020	.008	2.208	2.169	B	YES	Z	WITH TIE-BAR	QC-304333-WZ	KKC-11160	KE-91867

Notes (1) Die Attach Cavity Option: Bare Ceramic Surface or Gold Paste

(2) Leadframe Surface Finish Option: Aluminum Thin Film Deposition on Wire Bond Area or Electrolytic Gold Plating on All the Surface of Leadframes

(3) CERQUAD is a registered trademark of KYOCERA Corporation.



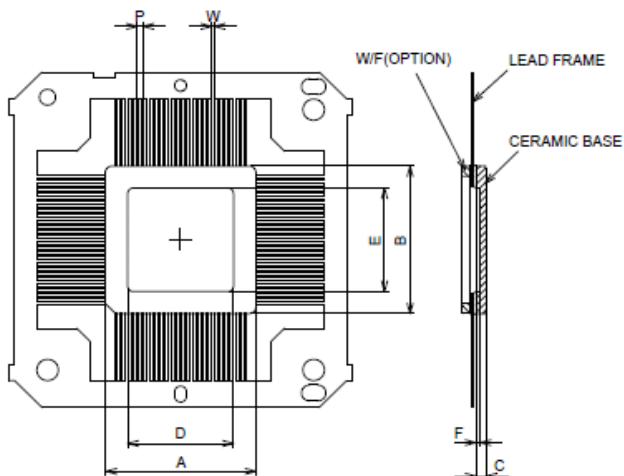
Inquiries about this list

UNIT : inch [Click here for metric dimensions](#)

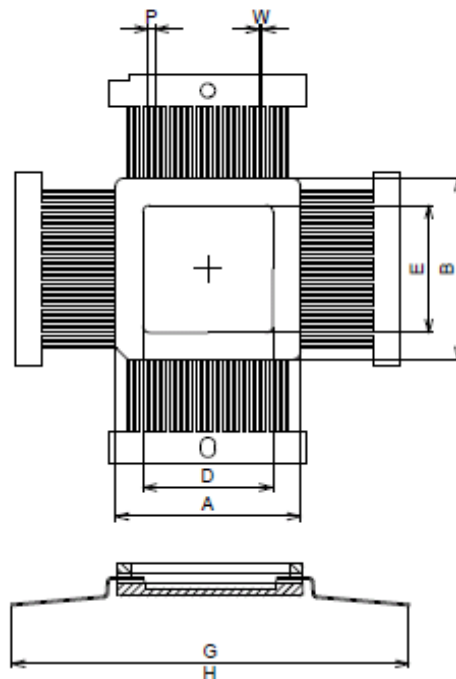
R0165E

LEAD COUNT	CAVITY Length E	CAVITY WIDTH D	CAVITY DEPTH F	CERAMIC LENGTH B	CERAMI C WIDTH A	CERAMIC THICKNESS C	EXTERNAL LEAD PITCH P	EXTERNAL LEAD WIDTH W	LEAD TIP TO TIP G	LEAD TIP TO TIP H	CORNER SHAPE	WINDOW FRAME	BEND FORM	REFERENCE	PACKAGE DRAWING NUMBER	MATCHING GLASS SEAL CERAMIC LID	MATCHING EPOXY SEAL CERAMIC LID
------------	-----------------	----------------	----------------	------------------	------------------	---------------------	-----------------------	-----------------------	-------------------	-------------------	--------------	--------------	-----------	-----------	------------------------	---------------------------------	---------------------------------

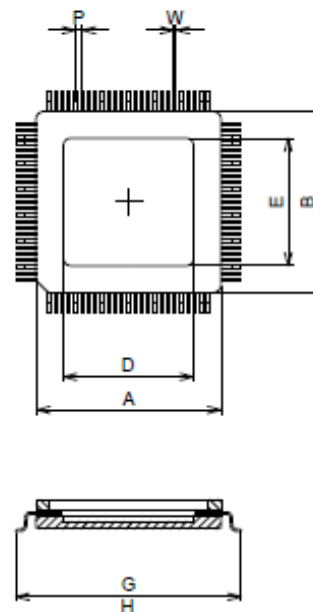
FLAT LEAD



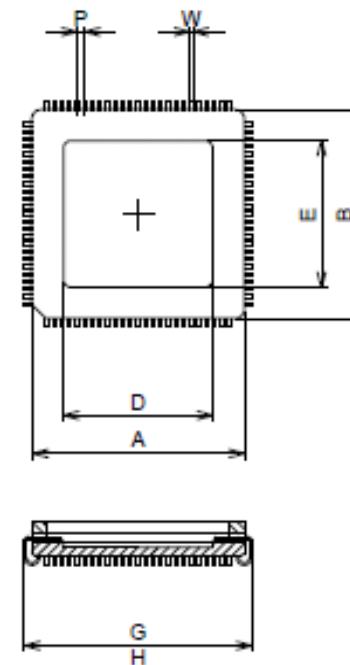
Z BND FORM WITH TIE-BAR



Z BEND FORM



J BEND FORM



- DIMENSION
- A: CERAMIC LENGTH
 - B: CERAMIC WIDTH
 - C: CERAMIC THICKNESS
 - D: CAVITY LENGTH
 - E: CAVITY WIDTH
 - F: CAVITY DEPTH
 - P: EXTERNAL LEAD PITCH
 - W: EXTERNAL LEAD WIDTH
 - G, H: LEAD TIP TO TIP

CERAMIC CONER SHAPE

- A 4-CORNER R
- B 3-CORNER R
1-CHANFER
- C 3-SQ NOTCH
1-CHANFER