
Standard Ferrule Product List

[1. Single Mode Ferrule](#) (2p, 3p, 4p, 5p)

[2. Multi Mode Ferrule](#) (6p, 7p)

[3. Ferrule for Attenuator](#) (8p)

[4. Capillary](#) (9p)

[5. Special Inner diameter Ferrule](#) (10p)

1. Single Mode Ferrule

■ Inquiry Code

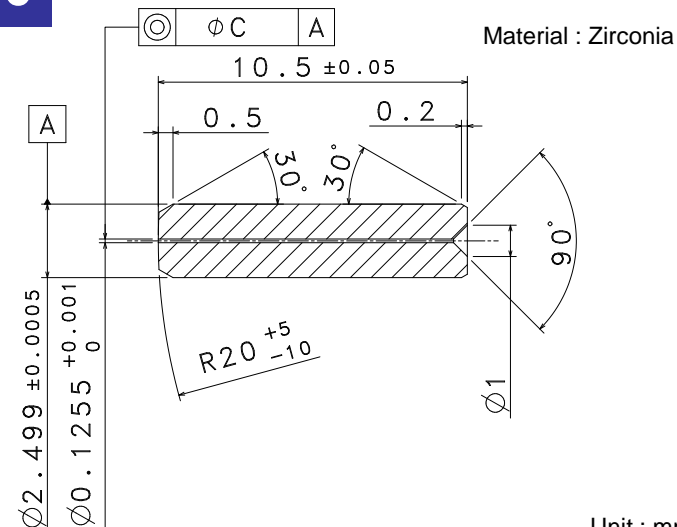
K C - **S** - -

Type **Flange** **Concentricity (C)**

- | | | |
|--|--------------------|------------|
| 1 : SC / FC PC | 0 : Without Flange | 1 : 0.0010 |
| 2 : SC / FC Pencil | 1 : With Flange | 2 : 0.0014 |
| 3 : SC / FC Step | | |
| 4 : ST PC | | |
| 5 : LC | | |
| 6 : MU | | |
| 7 : MU (for so-called "Low Cost MU Connector") | | |

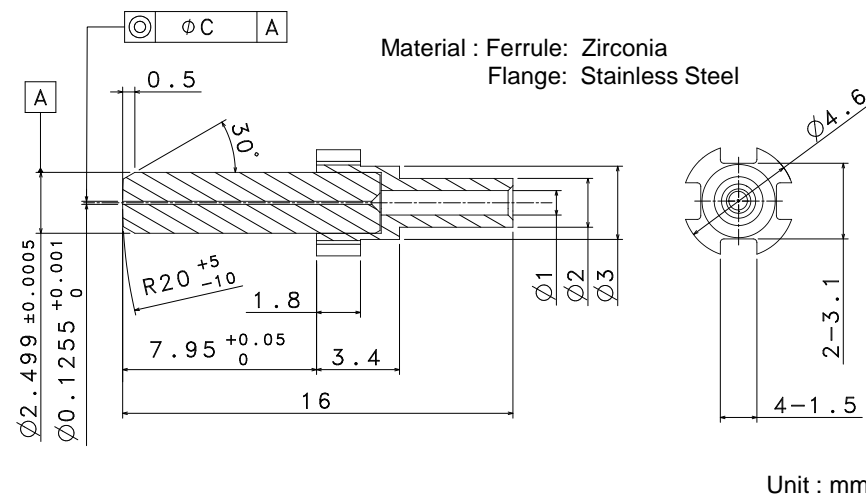
KC1S-0

For SC / FC Connector, PC, without Flange



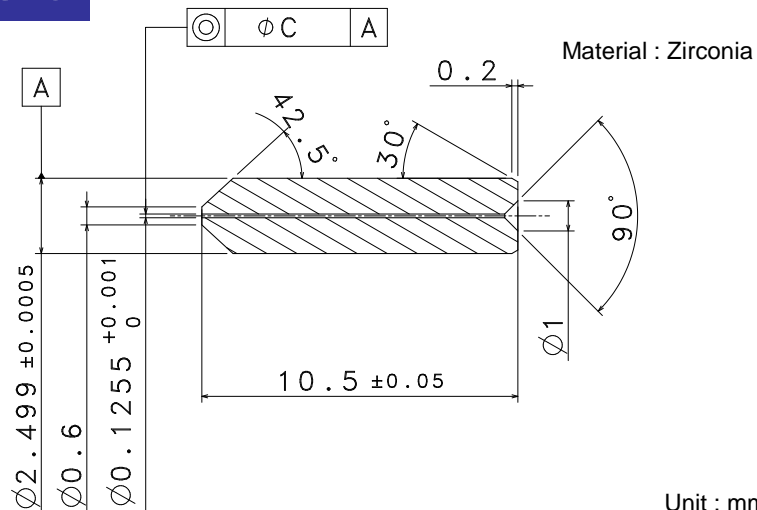
KC1S-1

For SC / FC Connector, PC, with Flange



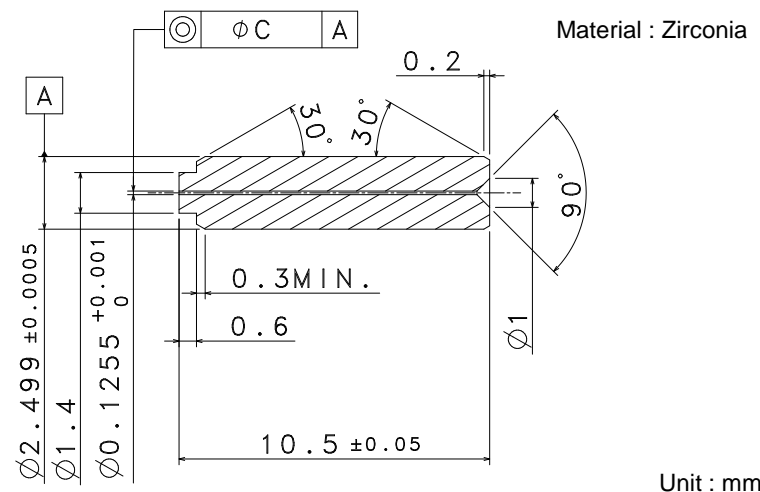
KC2S-0

For SC / FC Connector, Pencil, without Flange



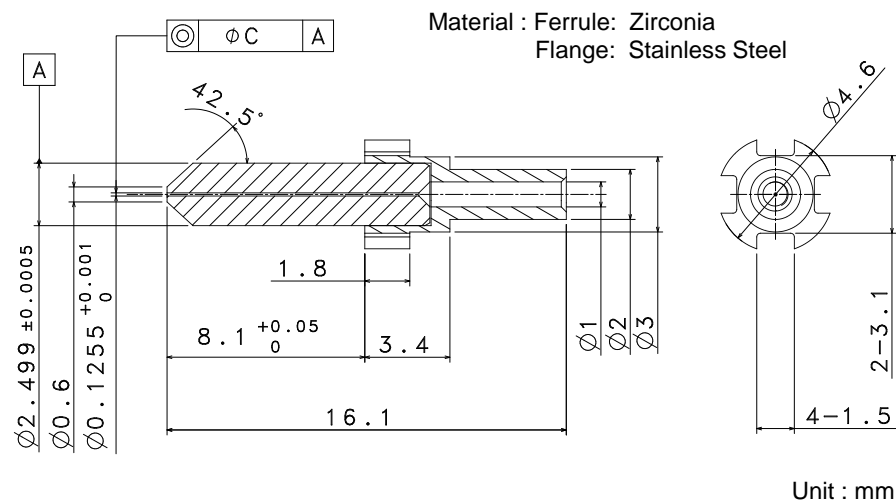
KC3S-0

For SC / FC Connector, Step, without Flange



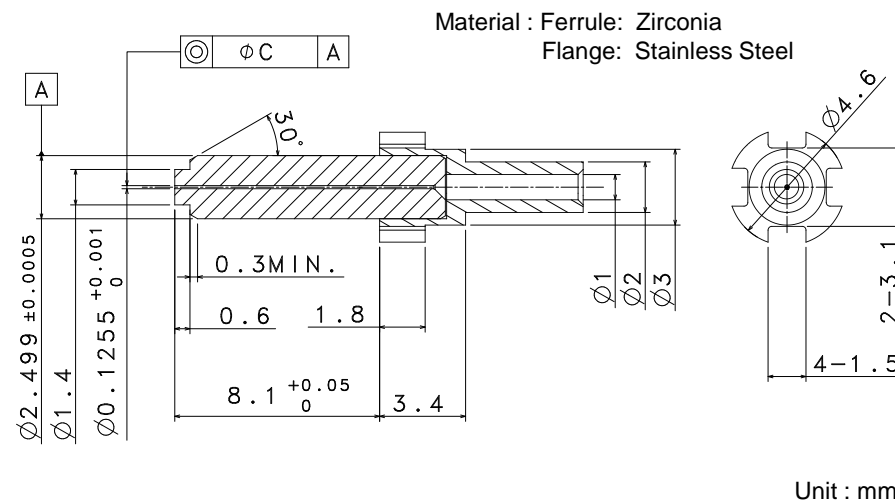
KC2S-1

For SC / FC Connector, Pencil, with Flange

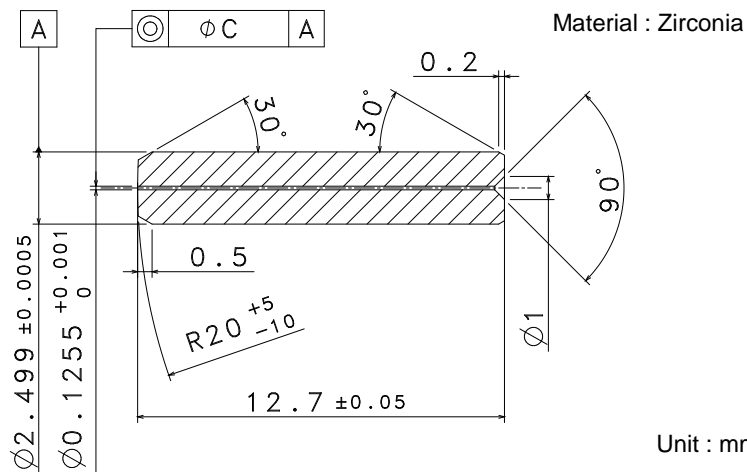


KC3S-1

For SC / FC Connector, Step, with Flange

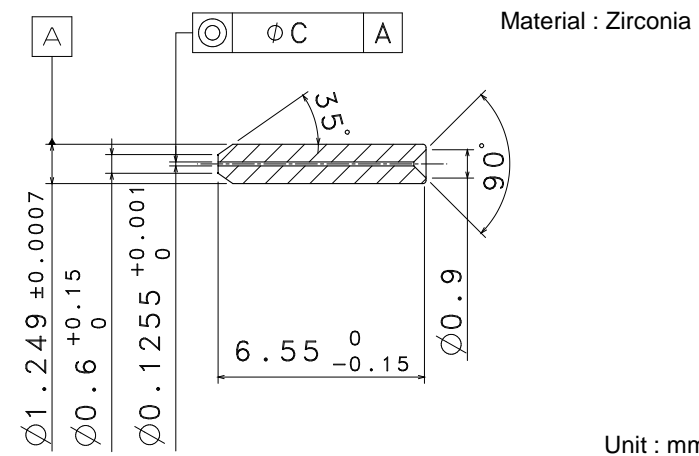


KC4S-0 For ST Connector, PC, without Flange

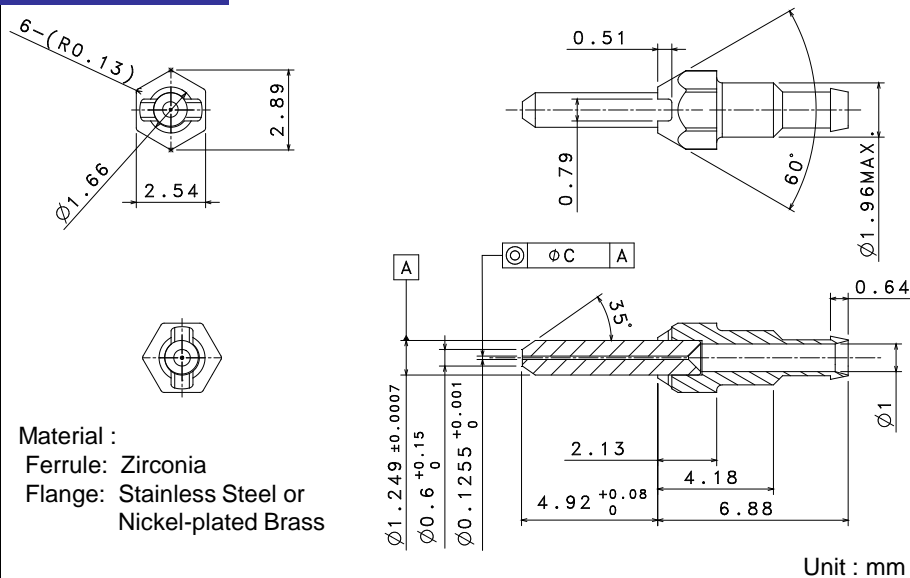


ST is a registered trademark of Furukawa Electric North America, Inc. in the United States of America.

KC5S-0 For LC Connector, without Flange

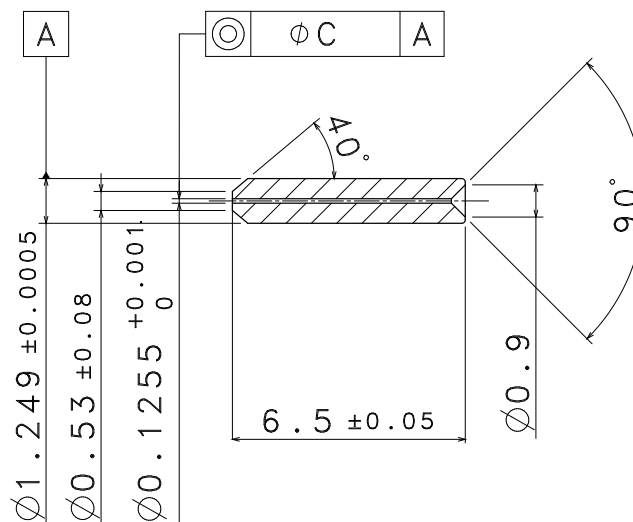


KC5S-1 For LC Connector, with Flange



KC6S-0

For MU Connector, without Flange

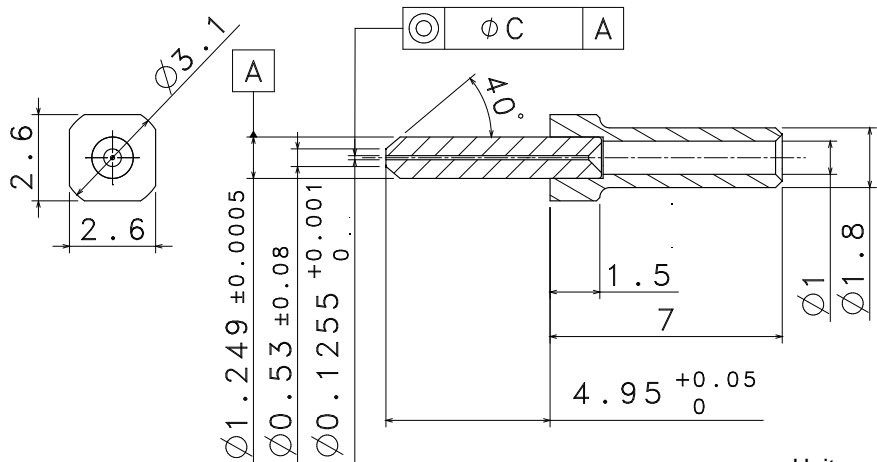


Unit : mm

KC6S-1

For MU Connector, with Flange

Material : Ferrule: Zirconia
Flange: Stainless Steel

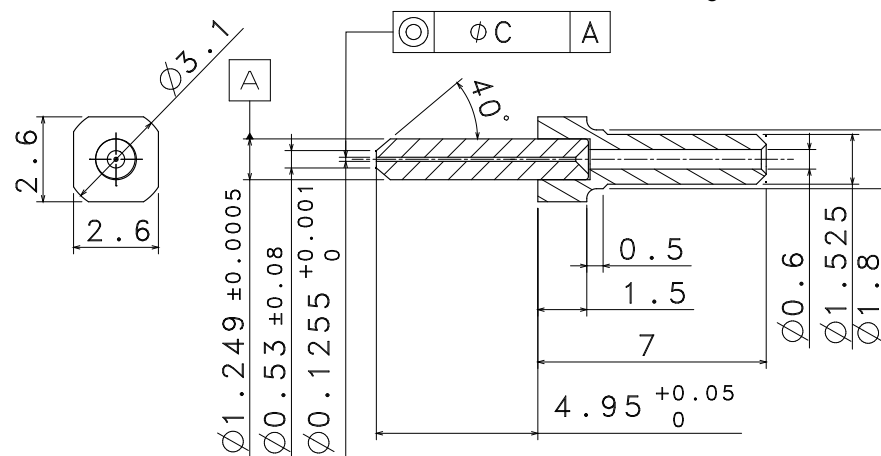


Unit : mm

KC7S-1

For so-called "Low Cost MU Connector",
with Flange

Material : Ferrule: Zirconia
Flange: Stainless Steel



Unit : mm

2. Multimode Ferrule

■ Inquiry Code

K C **M** -

Type

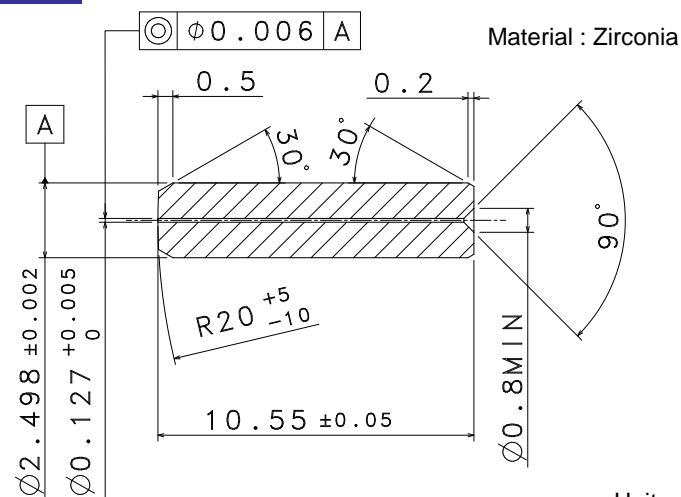
- 1 : SC / FC PC
- 2 : ST PC
- 3 : LC

Flange

- 0 : Without Flange
- 1 : With Flange

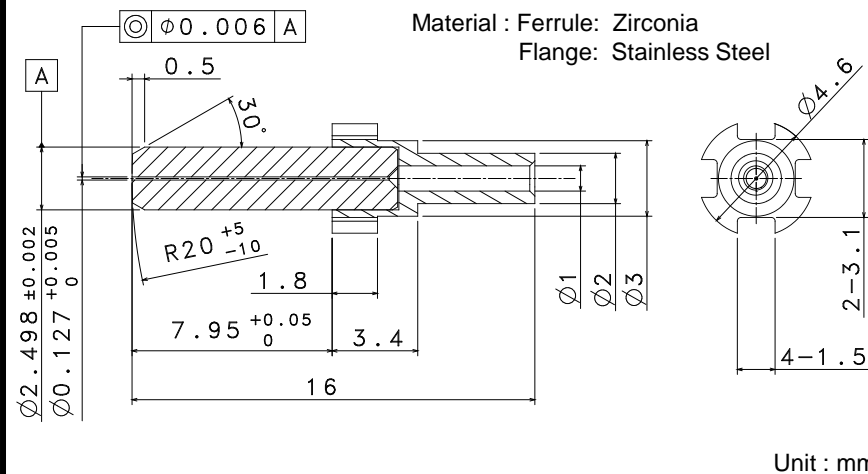
KC1M-0

For SC / FC Connector, PC, without Flange



KC1M-1

For SC / FC Connector, PC, with Flange



3. Ferrule for Attenuator

■ Inquiry Code

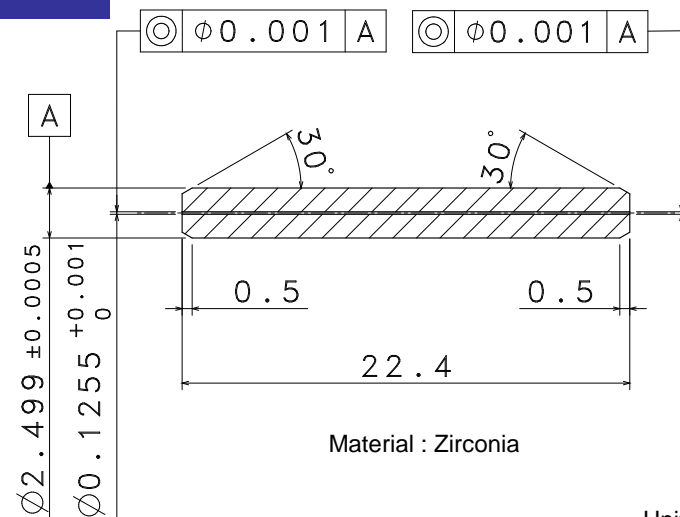
K C A T -

Outer Diameter

1. $\Phi 2.5$
2. $\Phi 1.25$

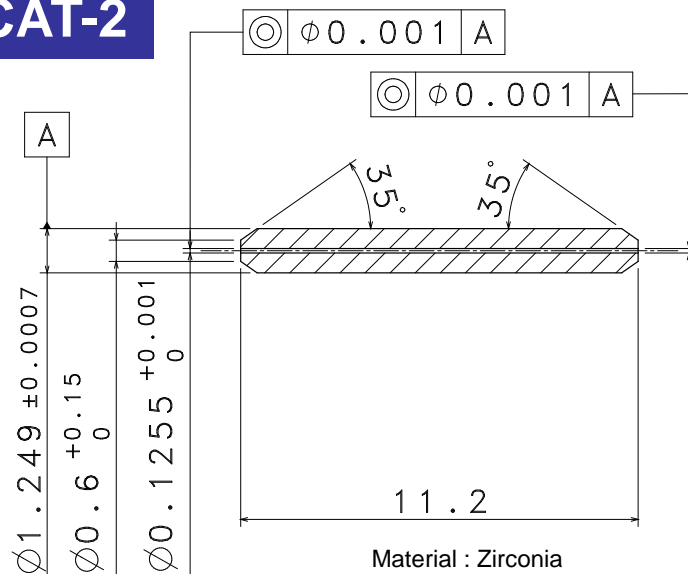
■ For other length, please contact a KYOCERA sales engineer.

KCAT-1



Unit : mm

KCAT-2

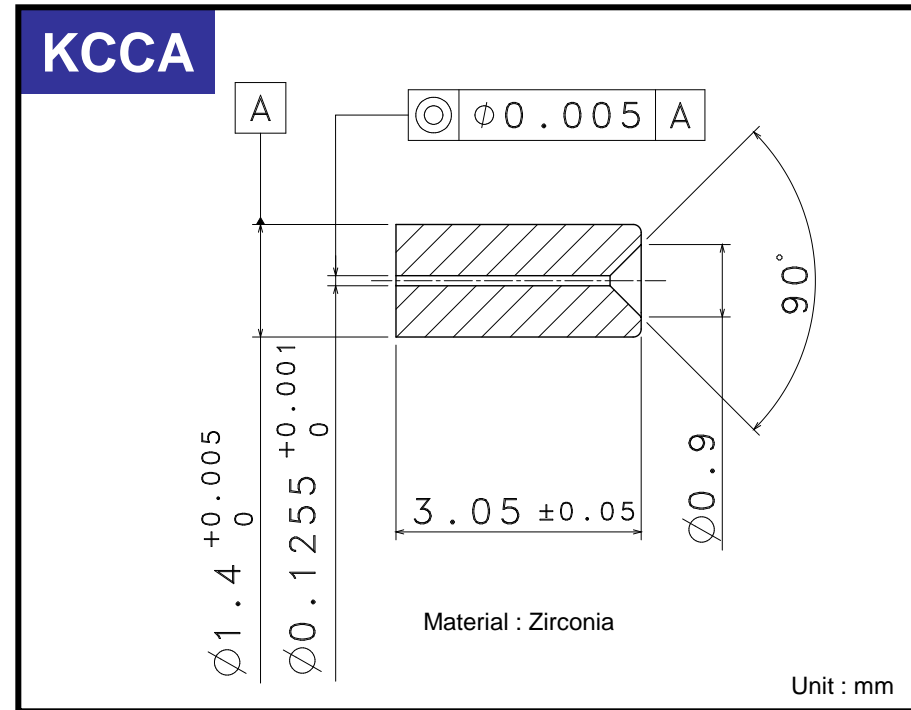


Unit : mm

4. Capillary

■ Inquiry Code

K C C A



5. Special Inner diameter Ferrule

Inquiry Code

KCSD - -

Type

1: $\Phi 2.5$

2: $\Phi 1.25$

Please refer to table 1.

Table 1. Φd , ΦC

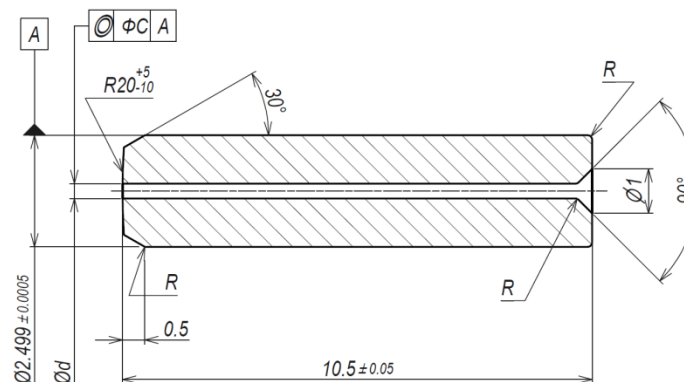
No.	Φd [mm]	ΦC [mm]
1	0.080 +0.001/0	0.001
2	0.144 +0.002/0	0.001
3	0.231 +0.004/0	0.004
4	0.254 +0.004/0	0.004
5	0.331 +0.005/0	0.005
6	0.336 +0.005/0	0.005
7	0.435 +0.010/0	0.010

Custom design is also available.

KCSD-1

For $\Phi 2.5$ Connector , PC, without Flange

Material : Zirconia

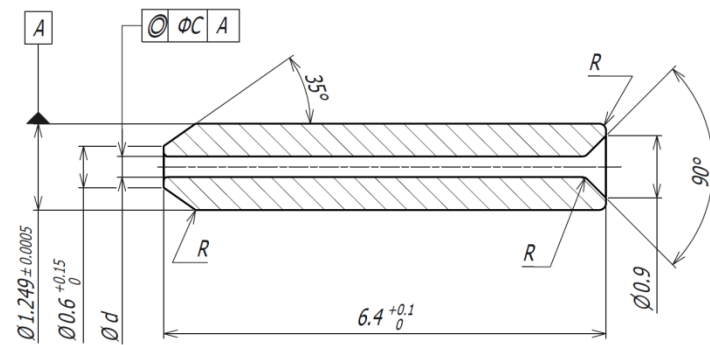


Unit : mm

KCSD-2

For $\Phi 1.25$ Connector, without Flange

Material : Zirconia



Unit : mm