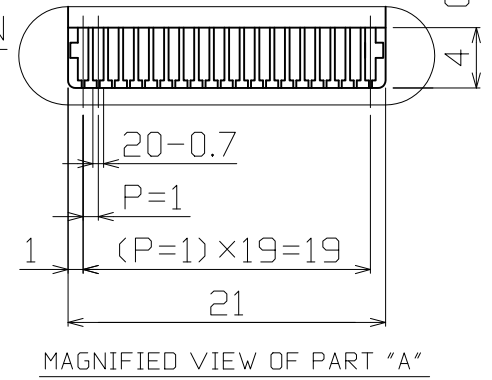
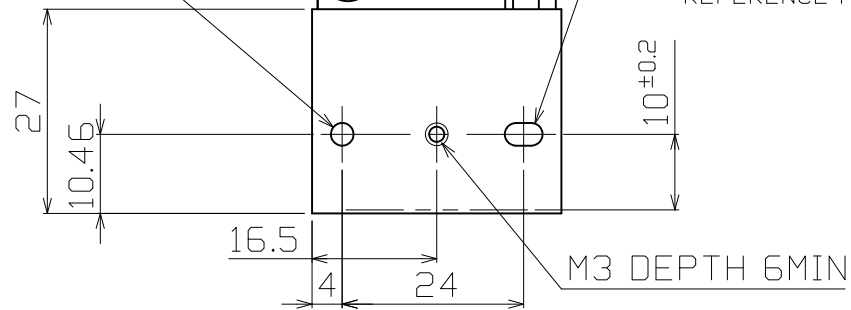


$\phi 3^{+0.06}_{+0.02}$ DEPTH 3MIN
POSITIONING
REFERENCE HOLE

$\phi 3^{+0.06}_{+0.02} \times 5$ DEPTH 3MIN
POSITIONING
REFERENCE HOLE



KCE-24-8PBW1-PFS2