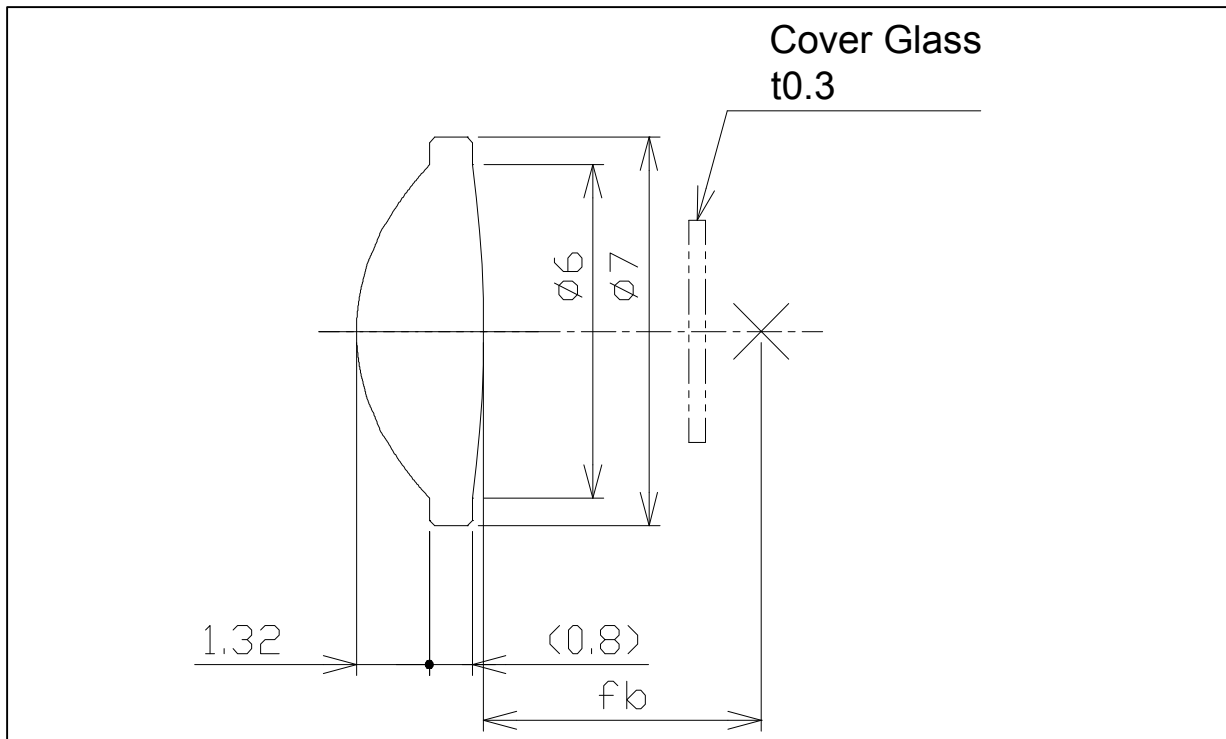


N.A. 0.4 f 6.25



Collimator Lens : KMR0101

## Design Specification

Wave Length (nm)	830	780	670	640	633
Focal Length (mm)	6.26	6.25	6.22	6.21	6.2
fb (mm)	5.03	5.02	4.99	4.98	4.98
Wave Front Error $\lambda$ rms	0.007	0.004	0.008	0.012	0.013
Chrom.Ab. ( $\mu$ m/nm)	0.21	0.23	0.32	0.36	0.37
Cover Glass	0.3mm n=1.51				
N.A.	0.4				
Image Height (mm)	0.1				
Transmittance	>95% *2				

- Note.
1. Tolerance of WFE is T.B.D.  
Example 0.065  $\lambda$  rms, 0.035  $\lambda$  rms available.
  2. Transmittance is T.B.D. 97% available