



3.2×1.5mm for Consumer/ Mobile Equipment/ Automotive



AEC-Q200 RoHS Compliant

Features

- Small, Low Profile
- Ceramic Package
- Reflow Compatible

Applications

- Consumer/ Mobile Equipment
- Car navigation system
- Car audio system

How to Order

ST3215SB 32768 P W
 ① ② ③ ④ ⑤ ⑥ ⑦

① Series

② Frequency
32.768kHz

③ Load Capacitance

④ Frequency Tolerance

| | | |
|----|---------|------|
| H5 | 12.5 pF | Std. |
| E0 | 9.0 pF | |
| C0 | 7.0 pF | |
| B0 | 6.0 pF | |
| A0 | 5.0 pF | |
| Z0 | 4.0 pF | |

| | |
|---|-------------------------|
| F | $\pm 10 \times 10^{-6}$ |
| H | $\pm 20 \times 10^{-6}$ |

⑤ Operating Temp. Range

⑥ Frequency Temp. Stability

| | |
|---|--------------|
| P | -40 to +85°C |
|---|--------------|

| | |
|---|--------------------------|
| W | $\pm 200 \times 10^{-6}$ |
|---|--------------------------|

⑦ Individual Specification

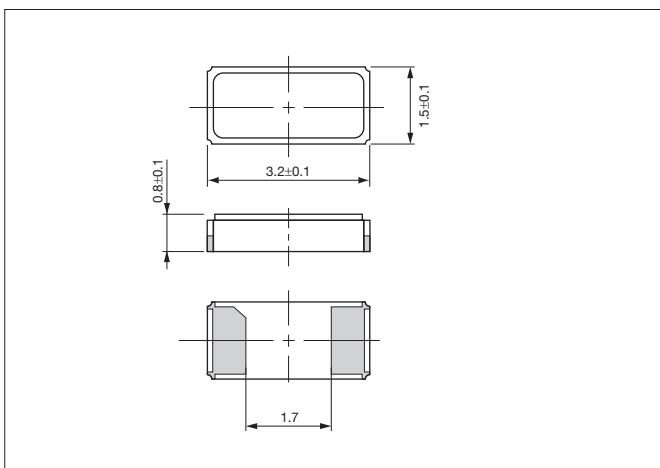
Packaging (Tape & Reel 3000/ 10000 pcs./ reel)

Specifications

| Item | Symbol | Specification | Units | Remarks |
|-----------------------|------------------|-------------------------------|------------------------------------|---|
| Nominal Frequency | f _{nom} | 32.768 | kHz | |
| Frequency Tolerance | f _{tol} | ±10, ±20 | ×10 ⁻⁶ | 25°C±3°C |
| Turnover Temperature | T _i | +25±5 | °C | |
| Parabolic Coefficient | B | -0.04 max. | ×10 ⁻⁶ /°C ² | |
| Motional Resistance | R ₁ | 70 k max. | ohm | |
| Motional Capacitance | C ₁ | 3.7 typ. | fF | |
| Shunt Capacitance | C ₀ | 0.9 typ. | pF | |
| Load Capacitance | CL | 4.0/ 5.0/ 6.0/ 7.0/ 9.0/ 12.5 | pF | Please contact us for other Load Capacitance. |
| Drive Level | DL | 0.1 | μW | 0.5 max. |
| Operating Temp. Range | T _{use} | -40 to +85 | °C | |
| Storage Temp. Range | T _{stg} | -55 to +85 | °C | |
| Frequency Aging | f _{age} | ±3 | ×10 ⁻⁶ | |

Dimensions

(Unit: mm)



Recommended Land Pattern

(Unit: mm)

