



2.0×1.2mm for Consumer/ Mobile Equipment



RoHS Compliant

**Features**

- Ultra Small, Low Profile
- Ceramic Package
- Reflow Compatible

**Applications**

- Consumer/ Mobile Equipment

**How to Order**

ST2012SB 32768   H P W    
 ① ② ③ ④ ⑤ ⑥ ⑦

- ① Series
- ② Frequency  
32.768kHz
- ③ Load Capacitance
- ④ Frequency Tolerance

H5	12.5 pF	Std.	H	$\pm 20 \times 10^{-6}$
E0	9.0 pF			
C0	7.0 pF			
B0	6.0 pF			
A0	5.0 pF			
Z0	4.0 pF			

- ⑤ Operating Temp. Range
- ⑥ Frequency Temp. Stability

P	-40 to +85°C	W	$\pm 200 \times 10^{-6}$
---	--------------	---	--------------------------

- ⑦ Individual Specification

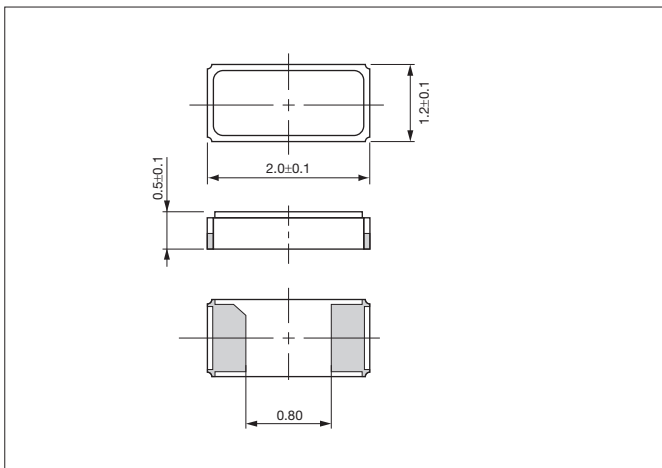
Packaging (Tape & Reel 3000/ 12000 pcs./ reel)

**Specifications**

Item	Symbol	Specification	Units	Remarks
Nominal Frequency	f <sub>nom</sub>	32.768	kHz	
Frequency Tolerance	f <sub>tol</sub>	±20	$\times 10^{-6}$	25°C±3°C
Turnover Temperature	T <sub>i</sub>	+25±5	°C	
Parabolic Coefficient	B	-0.04 max.	$\times 10^{-6}/^{\circ}\text{C}^2$	
Motional Resistance	R <sub>1</sub>	80 k max.	ohm	
Motional Capacitance	C <sub>1</sub>	5.8 typ.	ff	
Shunt Capacitance	C <sub>0</sub>	1.3 typ.	pF	
Load Capacitance	CL	4.0/ 5.0/ 6.0/ 7.0/ 9.0/ 12.5	pF	Please contact us for other Load Capacitance.
Drive Level	DL	0.1	μW	0.5 max.
Operating Temp. Range	T <sub>use</sub>	-40 to +85	°C	
Storage Temp. Range	T <sub>stg</sub>	-40 to +85	°C	
Frequency Aging	f <sub>age</sub>	±3	$\times 10^{-6}$	

**Dimensions**

(Unit: mm)



**Recommended Land Pattern**

(Unit: mm)

