



1.6×1.2mm



AEC-Q200 RoHS Compliant

**Features**

- Ultra-miniature SMD type (1.65×1.25×0.55mm)
- Freq. temp. characteristics:  
: ±2.0×10<sup>-6</sup>/ -30 to +85°C  
: ±0.5×10<sup>-6</sup>/ -30 to +85°C (for GNSS)
- 1.68 to 3.63V drive available
- Reflow compatible
- Operating Temp. -40 to +105°C (Option)
- Disable Function (Option)

**Applications**

- Mobile Communications, W-LAN
- Low power radio communications
- GNSS Unit

**How to Order**

KT1612A 26000 □ □ □ □ □ □ □ □ XX  
① ② ③ ④ ⑤ ⑥ ⑦ ⑧

- ① Series
  - ② Output Frequency
  - ③ Freq. Temp. Chrst.
  - ④ Lower Operating Temp.
  - ⑤ Upper Operating Temp.
  - ⑥ Supply Voltage
  - ⑦ Voltage Control Function
  - ⑧ Individual Specification
- |   |                       |
|---|-----------------------|
| A | ±0.5×10 <sup>-6</sup> |
| B | ±1.0×10 <sup>-6</sup> |
| C | ±1.5×10 <sup>-6</sup> |
| D | ±2.0×10 <sup>-6</sup> |
- |    |      |    |      |
|----|------|----|------|
| 18 | 1.8V | 28 | 2.8V |
| 30 | 3.0V | 33 | 3.3V |
- |             |        |
|-------------|--------|
| T           | TCXO   |
| Spec. Code* | VCTCXO |
- |   |       |
|---|-------|
| C | -30°C |
| E | -20°C |
| G | -10°C |
- |   |       |
|---|-------|
| W | +85°C |
| V | +80°C |
| U | +75°C |

Packaging (Tape & Reel 18000 pcs./ reel)

**Specifications**

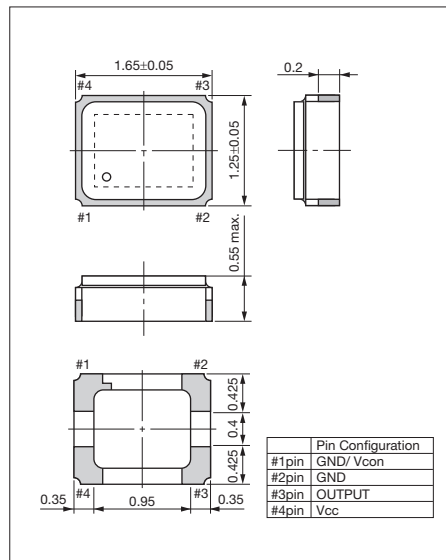
Item	Symbol	Conditions	Min.	Max.	Units
Output Frequency Range	f <sub>o</sub>		10	52	MHz
Frequency Tolerance	f <sub>tol</sub>	vs Temperature	-0.5/ -2	+0.5/ +2	×10 <sup>-6</sup>
		vs Load	-0.2	+0.2	
		vs Voltage	-0.2	+0.2	
Frequency Aging	f <sub>age</sub>	Per Year	-1	+1	×10 <sup>-6</sup>
Storage Temperature Range	T <sub>stg</sub>		-40	+85	°C
Operating Temperature Range	T <sub>use</sub>		-30	+85	°C
Voltage Control Range	f <sub>cont</sub>	Positive	±8	±15	×10 <sup>-6</sup>
Supply Voltage	V <sub>cc</sub>		1.68	3.63	V
Output Level	V <sub>pp</sub>	Clipped Sine*, Load: 10k ohm // 10pF	0.8	—	Vp-p
Current Consumption	I <sub>cc</sub>		—	2	mA
Harmonics	—		—	-5	dBc

\*: A DC-cut capacitor is not embedded in this crystal oscillator. Connect a DC-cut capacitor (≥1nF) to the line-out terminal of the oscillator.

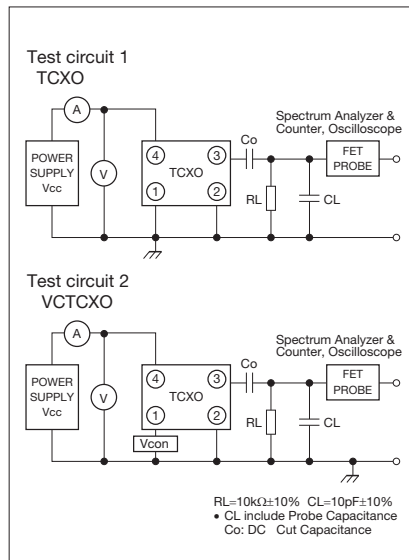
\* Please contact us for other specifications.

**Dimensions**

(Unit: mm)



**Test Circuit**



**Recommended Land Pattern**

(Unit: mm)

