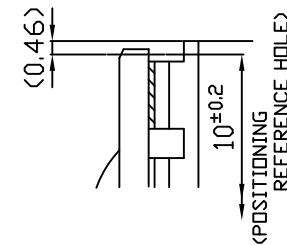
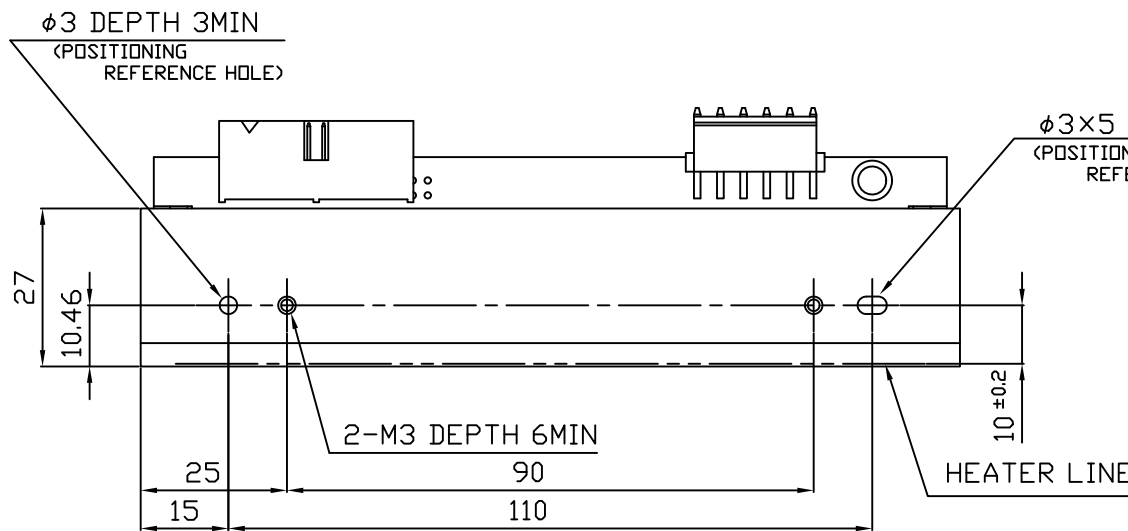


SIGNAL SIDE

POWER SIDE



DETAIL "A"



KCE-128-12PAT2-STB