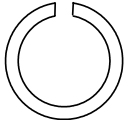
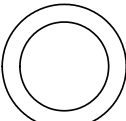
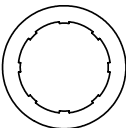
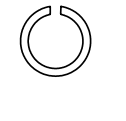
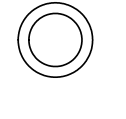
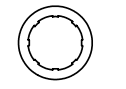
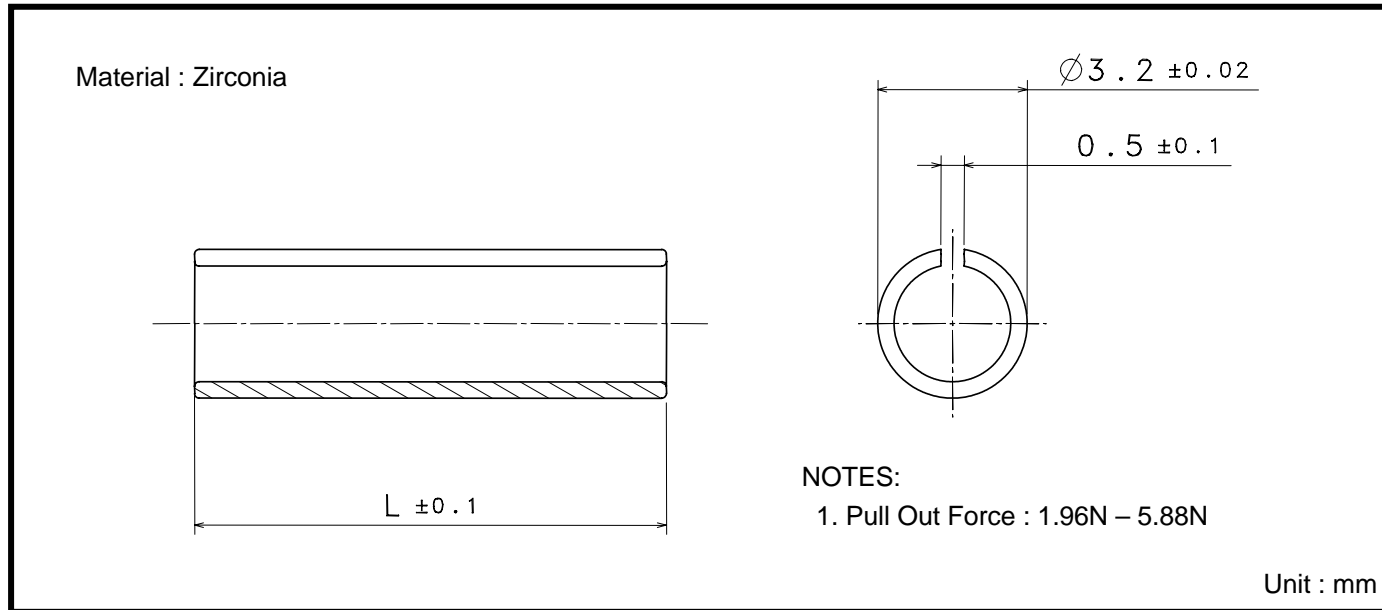


## Standard Sleeve Product List

<p><b>φ2.5mm Sleeve</b></p>	<p><a href="#">1. SPLIT TYPE (p2)</a></p> <p><a href="#">2. PRECISION TYPE (p3)</a></p> <p><a href="#">3. 8 LAND PRECISION TYPE (p4)</a> (Air Pressure / Dust Release Structure)</p>	  
<p><b>φ1.25mm Sleeve</b></p>	<p><a href="#">4. SPLIT TYPE (p5)</a></p> <p><a href="#">5. PRECISION TYPE (p6)</a></p> <p><a href="#">6. 6 LAND PRECISION TYPE (p7)</a> (Air Pressure / Dust Release Structure)</p>	  

# 1. $\phi 2.5$ SPLIT SLEEVE



## ■ Inquiry Code

**K C S S 250 -**

└─ **Length (L)**

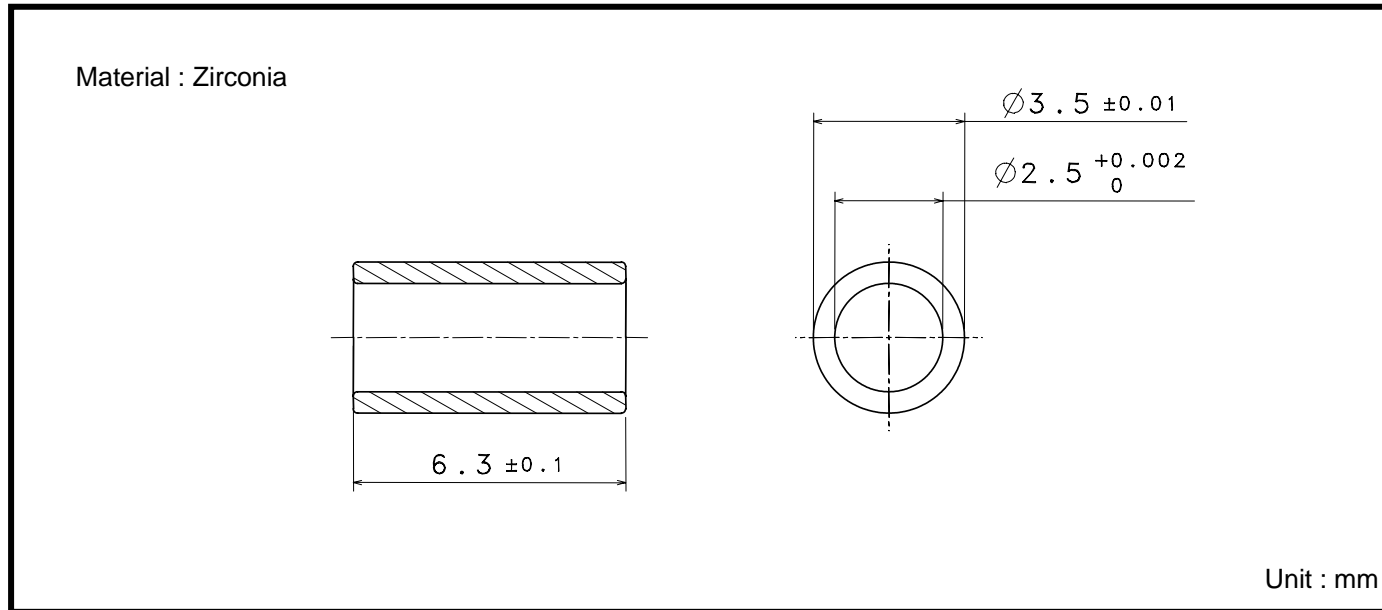
1: 11.4mm for SC / FC connector

2: 10.1mm for ST Connector

■ For other length, please contact a KYOCERA sales engineer.

ST is a registered trademark of Furukawa Electric North America, Inc. in the United States of America.

## 2. $\phi 2.5$ PRECISION SLEEVE



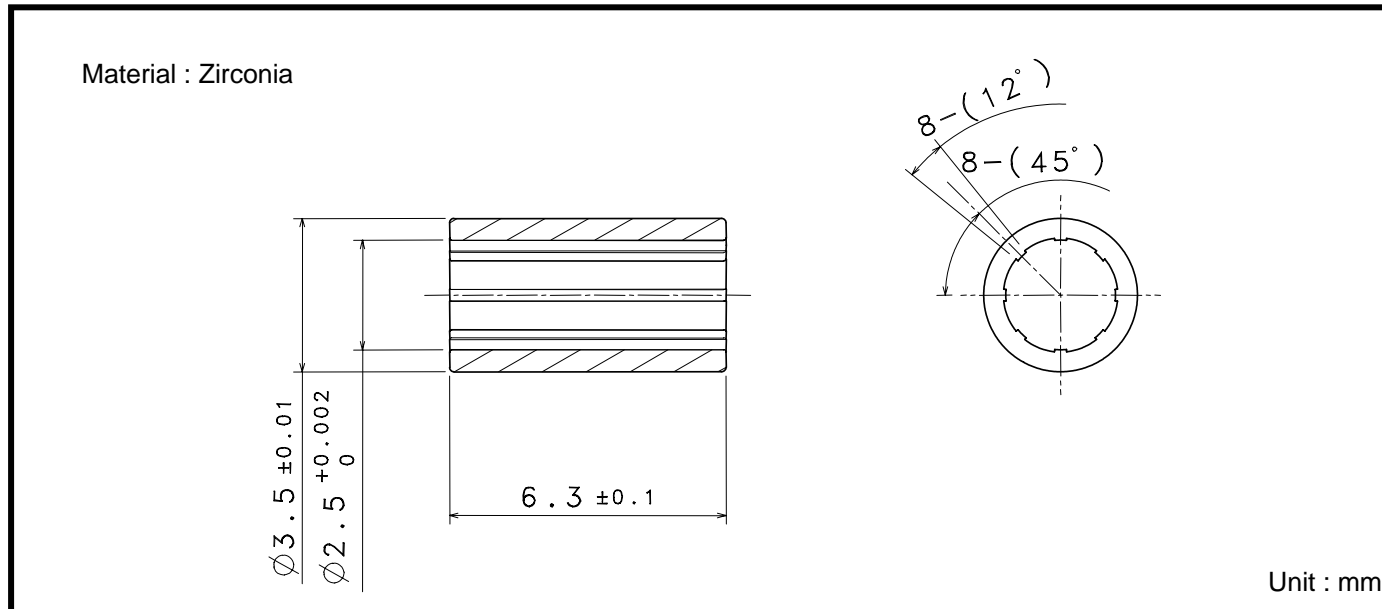
### ■ Inquiry Code

**K C P S 250 - 1**

■ For other length and diameters, please contact a KYOCERA sales engineer.

### 3. $\phi 2.5$ PRECISION SLEEVE (8 LAND)

#### Air Pressure / Dust Release Structure

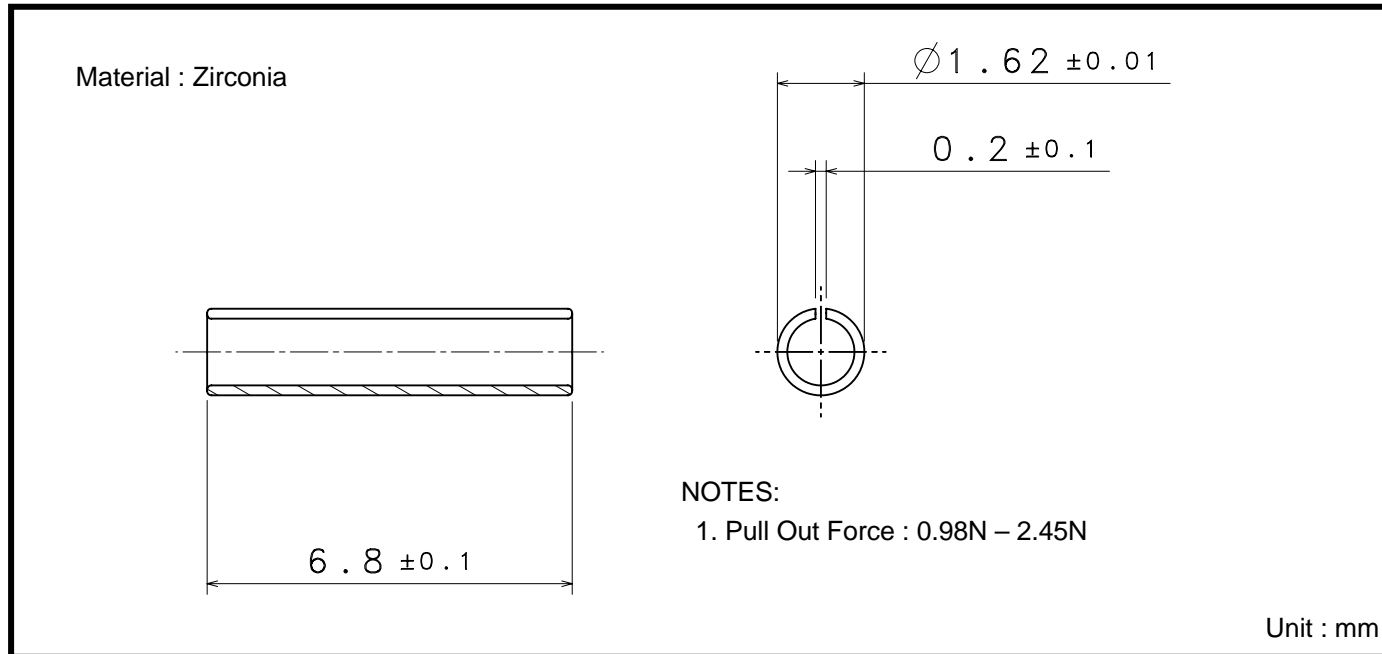


#### ■ Inquiry Code

**K C P S 250 - 2**

■ For other length and diameters, please contact a KYOCERA sales engineer.

## 4. $\phi 1.25$ SPLIT SLEEVE

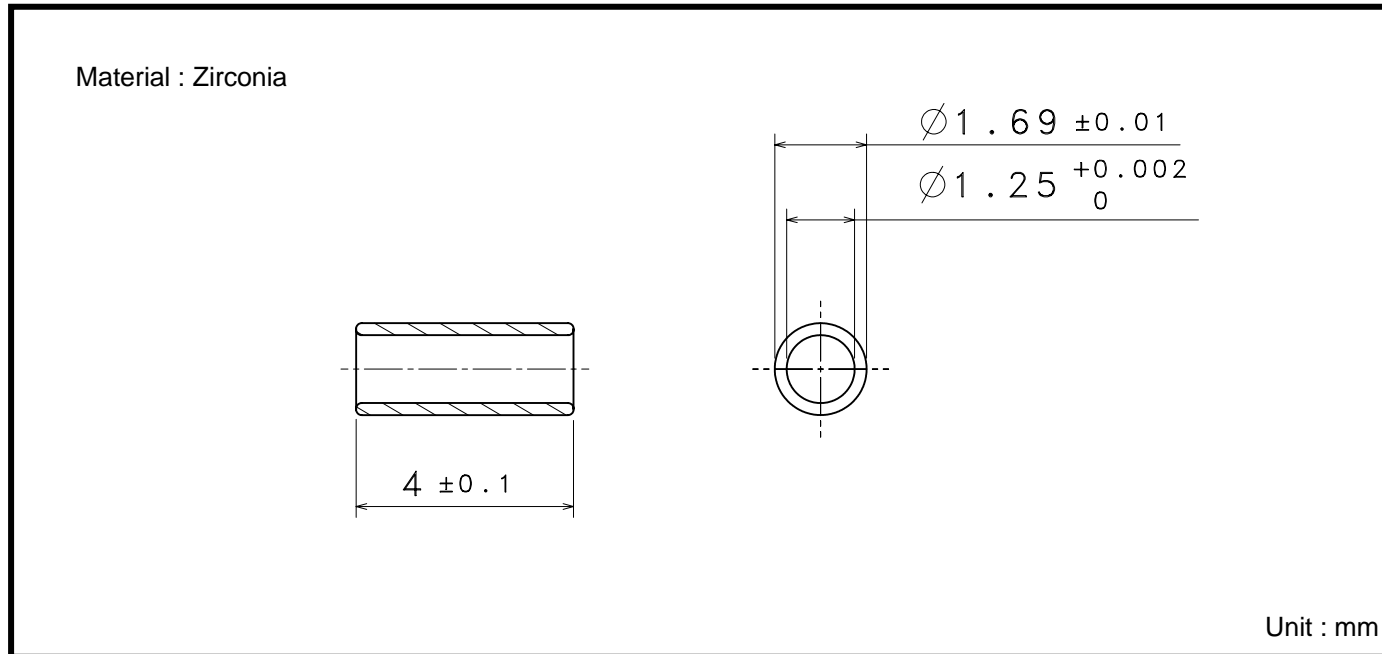


### ■ Inquiry Code

**K C S S 125**

■ For other length, please contact a KYOCERA sales engineer.

## 5. $\phi 1.25$ PRECISION SLEEVE



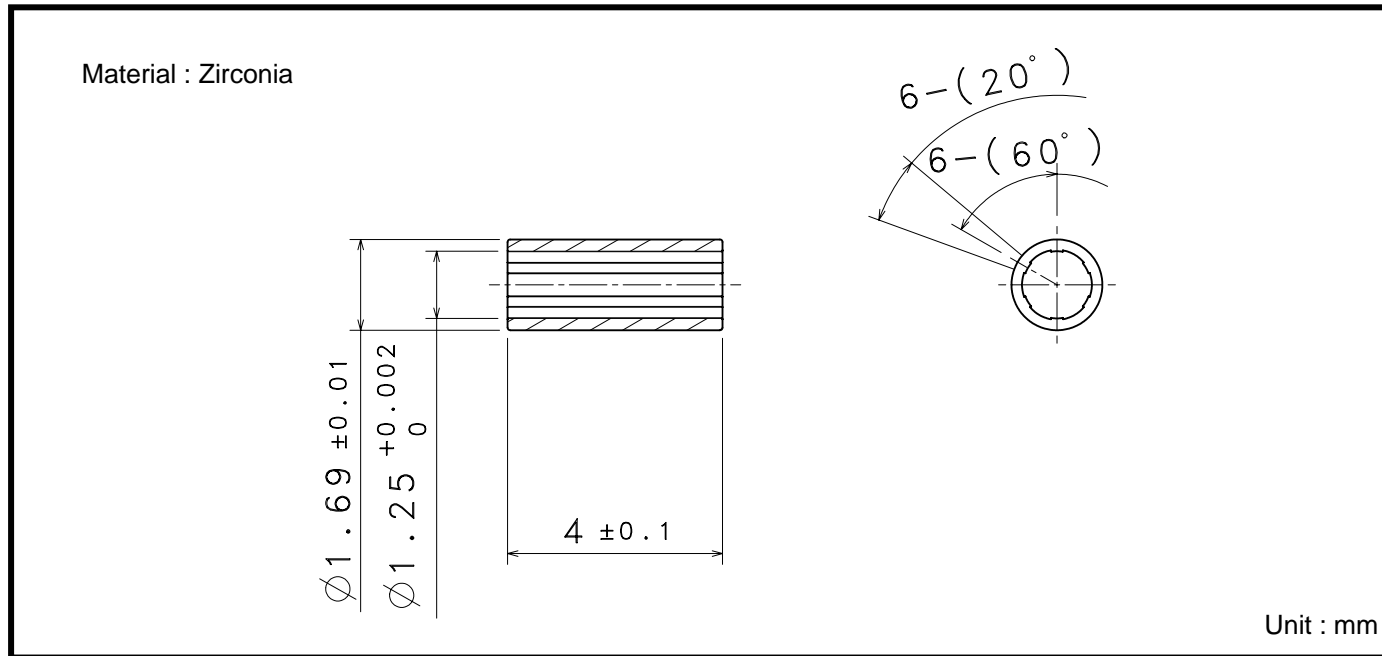
### ■ Inquiry Code

**K C P S 125 - 1**

■ For other length and diameters, please contact a KYOCERA sales engineer.

## 6. $\phi 1.25$ PRECISION SLEEVE (6 LAND)

### Air Pressure / Dust Release Structure



### ■ Inquiry Code

**K C P S 125 - 2**

■ For other length and diameters, please contact a KYOCERA sales engineer.