

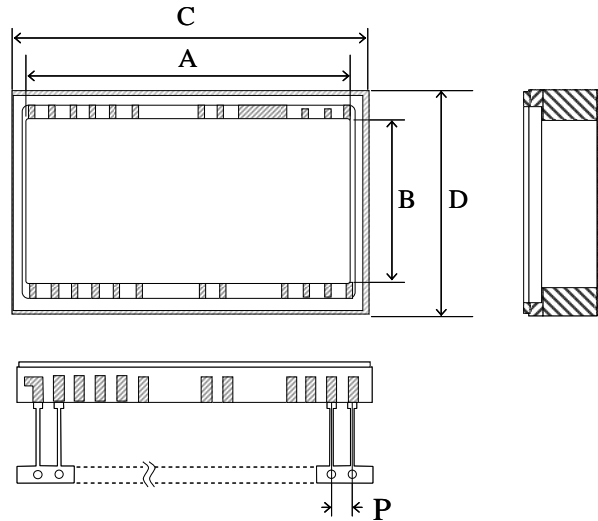
KYOCERA CERAMIC HYBRID PACKAGES



Inquiries about this list

PACKAGE TYPE*

- S/B DIP: Side Brazed Dual Inline Package
- B/B DIP: Bottom Brazed Dual Inline Package
- B/B QIP: Bottom Brazed Quad Inline Package
- T/B F/P: Top Brazed Flat Package



Unit: mm [Please click here for inch dimensions.](#)

N=No Metallization

0=No Connection

R0173B

PACKAGE TYPE*	LEAD COUNT	DIE CAVITY A x B	OVERALL C x D	CERAMIC LAYER THICKNESS				LEAD		KYOCERA CERAMIC MATERIAL CODE A440: Black A473: White	CONNECTION		DRAWING NUMBER
				1ST	2ND	3RD	TOTAL	STAND OFF HEIGHT	PITCH		SEAL RING	DIE ATTACH	
S/B DIP	14	13.84 X 3.81MIN.	19.00 X 7.87	0.64	0.64	1.02	2.29	0.89	2.54	A473	0 (Fe-Ni-Co RING)	0	KD-76265-A
B/B DIP	14	16.00MIN. X 6.86MIN.	20.07 X 12.45	1.14	1.14	0.76	3.05	0.64	2.54	A440	0	N	KD-75335-D
B/B DIP	14	16.00MIN. X 6.86MIN.	20.07 X 12.45	1.14	1.14	0.76	3.05	0.64	2.54	A440	N	N	KD-75335-D
B/B DIP	14	16.00MIN. X 6.86MIN.	20.07 X 12.45	1.14	1.14	0.76	3.05	0.64	2.54	A440	0 (Fe-Ni-Co RING)	N	KD-H82713-F
S/B DIP	16	17.70 X 4.00MIN.	19.56 X 7.87	0.76	0.64	0.97	2.37	0.64	2.54	A440	0 (Fe-Ni-Co RING)	0	KD-78033-B
S/B DIP	16	17.91 X 4.00MIN.	19.56 X 7.87	0.76	0.64	0.97	2.37	0.64	2.54	A440	0	0	KD-84702-A
B/B DIP	16	18.54MIN. X 6.86MIN.	22.61 X 12.45	1.14	1.14	0.76	3.05	0.64	2.54	A440	0	N	KD-75336-D
B/B DIP	16	18.54MIN. X 6.86MIN.	22.61 X 12.45	1.14	1.14	0.76	3.05	0.64	2.54	A440	N	N	KD-75336-D
B/B DIP	16	18.54MIN. X 6.86MIN.	22.61 X 12.45	1.14	1.14	0.76	3.05	0.64	2.54	A440	0 (Fe-Ni-Co RING)	N	KD-82714-D
B/B DIP	16	20.42 X 3.05	22.86 X 11.56	1.02	0.51	1.14	2.67	0.64	2.54	A440	0	0	KD-H86227-A
T/B F/P	16	20.32 X 20.19	28.70 X 23.83	1.02REF	0.51	0.76	2.37	-	2.54	A473	0	N	KD-75288-C
T/B F/P	16	20.32 X 20.19	28.70 X 23.83	1.02REF	0.51	0.76	2.37	-	2.54	A473	0	0	KD-75289-C

PACKAGE TYPE*	LEAD COUNT	DIE CAVITY A x B	OVERALL C x D	CERAMIC LAYER THICKNESS				LEAD		KYOCERA CERAMIC MATERIAL CODE A440: Black A473: White	CONNECTION		DRAWING NUMBER
				1ST	2ND	3RD	TOTAL	STAND OFF HEIGHT	PITCH		SEAL RING	DIE ATTACH	
B/B DIP	18	21.08MIN. X 6.86MIN.	25.20 X 12.45	1.14	1.14	0.76	3.05	0.64	2.54	A440	0 (Fe-Ni-Co RING)	N	KD-82715-C
B/B DIP	18	21.08MIN. X 6.86MIN.	25.20 X 12.45	1.14	1.14	0.76	3.05	0.64	2.54	A440	0	N	KD-75337-C
B/B DIP	18	21.08MIN. X 6.86MIN.	25.20 X 12.45	1.14	1.14	0.76	3.05	0.64	2.54	A440	N	N	KD-75337-C
B/B DIP	18	21.08MIN. X 6.86MIN.	25.20 X 12.45	1.14	1.14	0.76	3.05	0.64	2.54	A440	N	0	KD-H85574
B/B DIP	18	21.08MIN. X 6.86MIN.	25.20 X 12.45	1.14	1.14	0.76	3.05	0.64	2.54	A440	0 (Fe-Ni-Co RING)	N	KD-H91351
B/B DIP	18	21.08MIN. X 14.48MIN.	25.20 X 20.07	1.14	1.14	1.02	3.30	0.89	2.54	A440	0 (Fe-Ni-Co RING)	N	KD-H86746-A
S/B DIP	20	22.61 X 17.27	25.4 X 23.11	1.14	1.02	0.76	2.92	0.64MIN	2.54	A440	N	0	KD-82551
S/B DIP	20	22.61 X 17.27	25.4 X 23.11	1.14	1.02	0.76	3.43MAX	0.64MIN	2.54	A440	0 (Fe-Ni-Co RING)	N	KD-77196-F
S/B DIP	24	26.67 X 10.92	31.75 X 15.49	0.64	0.64	1.27	2.54	0.64	2.54	A473	0	N	KD-71280-H
S/B DIP	24	26.67 X 10.92	31.75 X 15.49	1.02	1.02	1.27	3.30	0.64	2.54	A473	0 (Fe-Ni-Co RING)	N	KD-82436-C
S/B DIP	24	27.00 X 11.07	31.75 X 15.49	0.76	1.27	1.02	3.05	0.64	2.54	A440	0 (Fe-Ni-Co RING)	N	KD-H88767
S/B DIP	24	27.00 X 11.07	31.75 X 15.49	0.89	1.91	1.02	3.81	0.64	2.54	A440	0 (Fe-Ni-Co RING)	N	KD-H89878
S/B DIP	24	28.70MIN. X 14.48MIN.	32.89 X 20.57	1.78	1.02	1.02	3.81	1.27	2.54	A440	0	N	KD-82043-C
S/B DIP	24	28.70MIN. X 14.48MIN.	32.89 X 20.57	1.78	1.02	1.02	3.81	1.27	2.54	A440	N	N	KD-82043-C
S/B DIP	24	28.70MIN. X 14.48MIN.	32.89 X 20.57	1.78	1.02	1.02	3.81	1.27	2.54	A440	N	N	KD-H89531
B/B DIP	24	28.70MIN. X 14.48MIN.	32.89 X 20.07	1.14	1.14	1.02	3.30	0.64	2.54	A440	0	N	KD-75338-E
B/B DIP	24	28.70MIN. X 14.48MIN.	32.89 X 20.07	1.14	1.14	1.02	3.30	0.64	2.54	A440	N	N	KD-75338-E
B/B DIP	24	28.70MIN. X 14.48MIN.	32.89 X 20.07	1.14	1.14	1.02	3.30	0.64	2.54	A440	0 (Fe-Ni-Co RING)	N	KD-82716-B
B/B DIP	24	28.70MIN. X 14.48MIN.	32.89 X 20.07	1.14	1.14	1.02	3.30	0.64	2.54	A440	0	0	KD-H85575
B/B DIP	24	28.70MIN. X 14.48MIN.	32.89 X 20.07	1.14	1.14	1.02	3.30	0.64	2.54	A440	0 (Fe-Ni-Co RING)	N	KD-H87356-C
S/B DIP	28	31.50 X 33.02	35.56 X 38.35	1.52	1.52	1.52	4.57	1.27	2.54	A440	0	N	KD-H87308-C
S/B DIP	28	31.75 X 10.92	36.83 X 15.49	1.14	1.14	1.14	3.43	0.64	2.54	A473	0	N	KD-79580-A
B/B DIP	28	14.02SQ	36.83 X 20.07	0.25	1.02	1.14	2.41	0.64	2.54	A440	N	1	KD-H89936-A
B/B DIP	28	35.66 X 14.68	39.50 X 20.07	1.40	1.40	1.02	3.81	0.64	2.54	A440	0 (Fe-Ni-Co RING)	N	KD-H90598-A
T/B F/P	30	20.32 X 20.19	28.70 X 23.83	1.02REF	0.51	0.76	2.37	-	1.27	A473	0	N	KD-75290-B
T/B F/P	30	20.32 X 20.19	28.70 X 23.83	1.02REF	0.51	0.76	2.37	-	1.27	A473	0 (Fe-Ni-Co RING)	N	KD-H85210-C
S/B DIP	32	36.45 X 17.27	40.64 X 23.11	1.27	0.51	1.02	2.79	1.27	2.54	A440	0 (Fe-Ni-Co RING)	N	KD-H91575

PACKAGE TYPE*	LEAD COUNT	DIE CAVITY A x B	OVERALL C x D	CERAMIC LAYER THICKNESS				LEAD		KYOCERA CERAMIC MATERIAL CODE A440: Black A473: White	CONNECTION		DRAWING NUMBER
				1ST	2ND	3RD	TOTAL	STAND OFF HEIGHT	PITCH		SEAL RING	DIE ATTACH	
S/B DIP	32	36.83 X 10.92	40.64 X 15.49	1.14	1.14	1.02	3.30	1.27	2.54	A440	0 (Fe-Ni-Co RING)	N	KD-H87916
S/B DIP	32	36.83 X 10.92	40.64 X 15.49	1.02	1.02	1.02	3.05	1.27	2.54	A440	0 (Fe-Ni-Co RING)	0	KD-H88228
S/B DIP	32	36.83 X 18.54	40.64 X 23.11	0.76	1.27	1.02	3.05	1.27	2.54	A440	0 (Fe-Ni-Co RING)	N	KD-H91359-A
B/B DIP	32	38.86MIN. X 21.84MIN.	43.05 X 27.69	1.14	1.14	1.02	3.30	0.64	2.54	A440	0 (Fe-Ni-Co RING)	N	KD-H84515-B
B/B DIP	32	38.86MIN. X 14.48MIN.	43.05 X 20.07	1.14	1.14	1.02	3.30	0.64	2.54	A440	0 (Fe-Ni-Co RING)	N	KD-84244-B
B/B DIP	32	38.86MIN. X 21.84MIN.	43.05 X 27.69	1.14	1.14	1.02	3.30	0.64	2.54	A440	0 (Fe-Ni-Co RING)	N	KD-82718-A
B/B DIP	32	38.86MIN. X 21.84MIN.	43.05 X 27.69	1.27	1.27	1.02	3.57	0.64	2.54	A440	0	N	KD-83131-B
B/B DIP	32	38.86MIN. X 21.84MIN.	43.05 X 27.69	1.27	1.27	1.02	3.57	0.64	2.54	A440	N	N	KD-83131-B
T/B F/P	38	46.86 X 20.32	51.69 X 28.70	1.02REF	0.51	0.76	2.37	-	2.54	A473	0	N	KD-75292-C
T/B F/P	38	46.86 X 20.32	51.69 X 28.70	1.02REF	0.51	0.76	2.37	-	2.54	A473	0	0	KD-75293-C
B/B DIP	40	49.02MIN. X 14.48MIN.	53.21 X 20.07	1.14	1.14	1.02	3.30	0.64	2.54	A440	0	N	KD-77065-A
B/B DIP	40	49.02MIN. X 14.48MIN.	53.21 X 20.07	1.14	1.14	1.02	3.30	0.64	2.54	A440	N	N	KD-77065-A
B/B DIP	40	49.02MIN. X 14.48MIN.	53.21 X 20.07	1.14	1.14	1.02	3.30	0.64	2.54	A440	0	0	KD-80391-B
B/B DIP	40	49.02MIN. X 14.48MIN.	53.21 X 20.07	1.14	1.14	1.02	3.30	0.64	2.54	A440	N	0	KD-80391-B
B/B DIP	40	49.02MIN. X 14.48MIN.	53.21 X 20.07	1.14	1.14	1.02	3.30	0.64	2.54	A440	0 (Fe-Ni-Co RING)	N	KD-H85981-A
B/B DIP	40	49.02MIN. X 14.48MIN.	53.21 X 20.07	1.27	1.52	1.02	3.81	0.89	2.54	A440	0 (Fe-Ni-Co RING)	N	KD-H88568-D
B/B DIP	40	49.53 X 22.35	53.21 X 27.69	1.14	1.14	1.02	3.30	0.89	2.54	A440	0 (Fe-Ni-Co RING)	N	KD-H84461-A
T/B F/P	44	26.49 X 27.99	35.50 X 32.51	1.02	1.02	1.02	3.05	-	1.27	A473	0 (Fe-Ni-Co RING)	N	KD-77321-A
B/B DIP	48	57.79 X 27.69	62.87 X 33.02	1.14	1.27	1.52	3.94	0.64	2.54	A440	0 (Fe-Ni-Co RING)	N	KD-H89525-A
B/B DIP	62	50.14MIN. X 27.08MIN.	58.42 X 35.56	1.14	1.14	1.14	3.43	0.89	2.54	A440	0	N	KD-79431-A
B/B DIP	62	50.11MIN. X 26.90MIN.	58.42 X 35.56	1.14	1.14	1.14	3.43	0.89	2.54	A440	0 (Fe-Ni-Co RING)	N	KD-84032-A
B/B DIP	62	50.11MIN. X 26.90MIN.	58.42 X 35.56	1.14	1.65	1.14	3.94	0.89	2.54	A440	0 (Fe-Ni-Co RING)	N	KD-85168-D
T/B F/P	74	46.86 X 20.32	51.69 X 28.70	1.02REF	0.51	0.76	2.37	-	1.27	A473	0 (Fe-Ni-Co RING)	N	KD-85214