

KYOCERA CERQUAD® PACKAGES

Notes (1) Die Attach Cavity Option: Bare Ceramic Surface or Gold Paste

(2) Leadframe Surface Finish Option: Aluminum Thin Film Deposition on Wire Bond Area or Electrolytic Gold Plating on All the Surface of Leadframes

(3) CERQUAD is a registered trademark of KYOCERA Corporation.



Inquiries about this list

UNIT : mm [Click here for inch dimensions](#)

R0165C

LEAD COUNT	CAVITY Length E	CAVITY WIDTH D	CAVITY DEPTH F	CERAMIC LENGTH B	CERAMIC WIDTH A	CERAMIC THICKNESS C	EXTERNAL LEAD PITCH P	EXTERNAL LEAD WIDTH W	LEAD TIP TO TIP	LEAD TIP TO TIP	CORNER SHAPE	WINDOW FRAME	BEND FORM	REFERENCE	PACKAGE DRAWING NUMBER	MATCHING GLASS SEAL CERAMIC LID	MATCHING EPOXY SEAL CERAMIC LID
20	5.21	5.21	0.38	9.52	9.52	0.91	1.27	0.48	10.29	10.29	A		J		QC-020203-J	BE-02404	
28	6.35	6.35	0.38	11.43	11.43	1.27	1.27	0.48	12.40	12.40	B		J		QC-028237-J	KKC-10682	
28	6.86	6.86	0.38	11.43	11.43	1.27	1.27	0.48	12.40	12.40	B		J		QC-028232-J-2	KKC-10682	
28	7.87	7.87	0.38	11.43	11.43	1.27	1.27	0.48	12.40	12.40	B		J		QC-028235-J	KKC-10682	
32	7.37	5.72	0.38	13.97	11.43	1.02	1.27	0.48	14.94	12.40	B		J		QC-032233-J	KKC-10712	
32	7.62	7.11	0.38	13.97	11.43	1.02	1.27	0.48	14.94	12.40	B		J		QC-032215-J	KKC-10712	
32	8.56	8.03	0.38	13.97	11.43	1.02	1.27	0.48	14.94	12.40	B		J		QC-032211-J-1	KKC-10712	
44	5.60	5.60	0.38	10.00	10.00	1.27	0.80	0.40			B	YES	F		QC-044341-W	KKC-10774	KE-91301
44	7.24	7.24	0.38	13.97	13.97	1.27	1.00	0.40	29.40	28.40	C	YES	Z	WITH TIE-BAR	QC-044301-WZ	KKC-10453	KE-81714
44	7.62	7.62	0.38	16.51	16.51	1.27	1.27	0.48	17.48	17.48	B		J		QC-044248-J-1	KKC-10683	
44	10.16	10.16	0.38	16.51	16.51	1.27	1.27	0.48	17.48	17.48	B		J		QC-044249-J-1	KKC-10683	
44	10.92	10.92	0.38	16.51	16.51	1.27	1.27	0.48	17.48	17.48	B		J		QC-044253-J-1	KKC-10683	
44	11.43	11.43	0.38	16.51	16.51	1.27	1.27	0.48	17.48	17.48	B		J		QC-044250-J-1	KKC-10683	
44	6.35	6.35	0.38	16.51	16.51	1.27	1.27	0.48	17.48	17.48	B		J		QC-044276-J	KKC-10683	
48	7.24	7.24	0.38	13.97	13.97	1.02	1.02	0.48	15.24	15.24	B		J		QC-048303-J	KKC-10497	
48	7.24	7.24	0.38	13.97	13.97	0.95	1.00	0.35	29.40	28.40	B	YES	Z	WITH TIE-BAR	QC-048304-WZ-2	KKC-10497	KE-91473-1
48	9.80	9.80	0.38	13.97	13.97	0.95	1.00	0.35	29.40	28.40	B	YES	Z	WITH TIE-BAR	QC-048305-WZ-2	KKC-10497	KE-91473-1
52	7.24	7.24	0.38	13.97	13.97	1.27	1.00	0.40	18.62	18.62	C	YES	Z		QC-052305-WZ	KKC-10453	KE-81714
52	10.16	10.16	0.38	19.05	19.05	1.27	1.27	0.48	20.02	20.02	B		J		QC-052215-J-1	KKC-10671	
52	13.97	13.97	0.38	19.05	19.05	1.27	1.27	0.48	20.02	20.02	B		J		QC-052218-J	KKC-10671	
64	5.60	5.60	0.38	10.00	10.00	1.25	0.50	0.20	12.40	12.40	B	YES	Z		QC-064347-WZ	KKC-10774	KE-91301
64	7.24	7.24	0.38	13.97	13.97	0.95	0.80	0.35	29.40	28.40	B	YES	Z	WITH TIE-BAR	QC-064307-WZ	KKC-10497	KE-91473-1
64	9.80	9.80	0.38	13.97	13.97	0.95	0.80	0.35	29.40	28.40	B	YES	Z	WITH TIE-BAR	QC-064308-WZ-1	KKC-10497	KE-91473-1
64	9.80	9.80	0.38	13.97	13.97	0.95	0.80	0.35	16.40	16.40	B	YES	Z		QC-064315-WZ	KKC-10497	KE-91473-1
64	7.11	7.11	0.40	20.00	14.00	0.95	1.00	0.35	32.80	25.70	B	YES	Z	WITH TIE-BAR	QC-064305-WZ	KKC-10384	KE-91473-1
64	8.99	8.99	0.40	20.00	14.00	0.95	1.00	0.35	32.80	25.70	B	YES	Z	WITH TIE-BAR	QC-064306-WZ	KKC-10384	KE-90655
64	8.99	8.99	0.40	20.00	14.00	0.95	1.00	0.35	23.90	17.91	B	YES	Z		QC-064311-WZ	KKC-10384	KE-90655
68	10.16	10.16	0.38	24.13	24.13	1.27	1.27	0.48	25.10	25.10	B		J		QC-068271-J-1	KKC-10571	
68	12.07	12.07	0.38	24.13	24.13	1.27	1.27	0.48	25.10	25.10	B		J		QC-068263-J-2	KKC-10571	
68	16.51	16.51	0.38	24.13	24.13	1.27	1.27	0.48	25.10	25.10	B	YES	J		QC-068285-WJ	KKC-10899-1	KE-90456
80	9.80	9.80	0.38	13.97	13.97	0.95	0.65	0.30	17.00	17.00	B	YES	Z		QC-080324-WZ	KKC-10497	KE-91473-1
80	9.80	9.80	0.38	13.97	13.97	0.95	0.65	0.30	30.14	29.14	B	YES	Z	WITH TIE-BAR	QC-080333-WZ	KKC-10497	KE-91473-1
80	7.11	7.11	0.40	20.00	14.00	0.95	0.80	0.35	32.80	25.70	B	YES	Z	WITH TIE-BAR	QC-080312-WZ	KKC-10384	KE-90655
80	7.11	7.11	0.40	20.00	14.00	0.95	0.80	0.35	26.80	20.90	B	YES	Z		QC-080314-WZ	KKC-10384	KE-90655
80	8.99	8.99	0.40	20.00	14.00	0.95	0.80	0.35	32.80	25.70	B	YES	Z	WITH TIE-BAR	QC-080311-WZ-1	KKC-10384	KE-90655
80	8.99	8.99	0.40	20.00	14.00	0.95	0.80	0.35	23.90	17.91	B	YES	Z		QC-080318-WZ	KKC-10384	KE-90655
80	11.00	9.00	0.40	20.00	14.00	0.95	0.80	0.35	32.80	25.70	B	YES	Z	WITH TIE-BAR	QC-080306-WZ-3	KKC-10384	KE-90655
80	11.00	9.00	0.40	20.00	14.00	0.95	0.80	0.35	23.90	17.91	B	YES	Z		QC-080326-WZ	KKC-10384	KE-90655
84	7.62	7.62	0.38	29.21	29.21	1.27	1.27	0.48	29.97	29.97	B		J		QC-084222-J	KKC-10577	
84	10.16	10.16	0.38	29.21	29.21	1.27	1.27	0.48	29.97	29.97	B	YES	J		QC-084206-WJ-1	KKC-10312	KE-91175
84	11.43	11.43	0.38	29.21	29.21	1.27	1.27	0.48	29.97	29.97	B	YES	J		QC-084202-WJ-1	KKC-10312	KE-91175
84	11.43	11.43	0.38	29.21	29.21	1.27	1.27	0.48	30.18	30.18	B		J		QC-084228-J	KKC-10577	
84	11.94	11.94	0.38	29.21	29.21	1.27	1.27	0.48	29.97	29.97	B	YES	J		QC-084245-WJ	KKC-10312	KE-91175
84	12.95	12.95	0.38	29.21	29.21	1.27	1.27	0.48	29.97	29.97	B		J		QC-084224-J	KKC-10577	
100	9.80	9.80	0.38	13.97	13.97	0.95	0.50	0.20	17.00	17.00	B	YES	Z		QC-100364-WZ	KKC-10497	KE-91473-1

Notes (1) Die Attach Cavity Option: Bare Ceramic Surface or Gold Paste

(2) Leadframe Surface Finish Option: Aluminum Thin Film Deposition on Wire Bond Area or Electrolytic Gold Plating on All the Surface of Leadframes

(3) CERQUAD is a registered trademark of KYOCERA Corporation.



Inquiries about this list

UNIT : mm [Click here for inch dimensions](#)

R0165C

LEAD COUNT	CAVITY Length E	CAVITY WIDTH D	CAVITY DEPTH F	CERAMIC LENGTH B	CERAMIC WIDTH A	CERAMIC THICKNESS C	EXTERNAL LEAD PITCH P	EXTERNAL LEAD WIDTH W	LEAD TIP TO TIP	LEAD TIP TO TIP	CORNER SHAPE	WINDOW FRAME	BEND FORM	REFERENCE	PACKAGE DRAWING NUMBER	MATCHING GLASS SEAL CERAMIC LID	MATCHING EPOXY SEAL CERAMIC LID
100	9.80	9.80	0.38	13.97	13.97	0.95	0.50	0.20	30.00	29.00	B	YES	Z	WITH TIE-BAR	QC-100367-WZ	KKC-10497	KE-91473-1
100	7.11	7.11	0.40	20.00	14.00	0.95	0.65	0.35	26.80	20.90	B	YES	Z		QC-100322-WZ	KKC-10384	KE-90655
100	7.11	7.11	0.40	20.00	14.00	0.95	0.65	0.35	32.80	25.70	B	YES	Z	WITH TIE-BAR	QC-100338-WZ	KKC-10384	KE-90655
100	7.90	7.90	0.40	20.00	14.00	0.95	0.65	0.35	32.80	25.70	B	YES	Z	No.1 PIN WITH TIE-BAR	QC-100348-WZ	KKC-10384	KE-90655
100	8.99	8.99	0.40	20.00	14.00	0.95	0.65	0.35	32.80	25.70	B	YES	Z	WITH TIE-BAR	QC-100316-WZ	KKC-10384	KE-90655
100	8.99	8.99	0.40	20.00	14.00	0.95	0.65	0.35	23.90	17.91	B	YES	Z		QC-100333-WZ	KKC-10384	KE-90655
100	11.00	9.00	0.40	20.00	14.00	0.95	0.65	0.35	32.80	25.70	B	YES	Z	No.1 PIN WITH TIE-BAR	QC-100346-WZ	KKC-10384	KE-90655
100	11.00	9.00	0.40	20.00	14.00	0.95	0.65	0.35	23.90	17.91	B	YES	Z		QC-100334-WZ	KKC-10384	KE-90655
100	11.00	9.00	0.40	20.00	14.00	0.95	0.65	0.35	23.90	17.91	B	YES	Z	No.1 PIN	QC-100354-WZ	KKC-10384	KE-90655
120	8.13	8.13	0.38	28.00	28.00	1.27	0.80	0.35	41.75	40.75	B	YES	Z	WITH TIE-BAR	QC-120309-WZ	KKC-10430	KE-91033
120	10.20	10.20	0.38	28.00	28.00	1.27	0.80	0.35	41.75	40.75	B	YES	Z	WITH TIE-BAR	QC-120312-WZ	KKC-10430	KE-91033
120	11.68	11.68	0.38	28.00	28.00	1.27	0.80	0.35	41.75	40.75	B	YES	Z	WITH TIE-BAR	QC-120304-WZ	KKC-10430	KE-91033
120	11.68	11.68	0.38	28.00	28.00	1.27	0.80	0.35	32.00	32.00	B	YES	Z		QC-120308-WZ	KKC-10430	KE-91033
120	14.00	14.00	0.38	28.00	28.00	1.27	0.80	0.35	41.75	40.75	B	YES	Z	WITH TIE-BAR	QC-120319-WZ	KKC-10430	KE-91033
120	14.00	14.00	0.38	28.00	28.00	1.27	0.80	0.35	32.00	32.00	B	YES	Z		QC-120368-WZ	KKC-10430	KE-91033
124	11.43	11.43	0.38	24.13	24.13	1.27	0.635	0.30	30.73	30.73	C	YES	Z		QC-124416-WZ	KKC-10312	KE-91250
128	11.00	9.00	0.40	20.00	14.00	0.95	0.50	0.20	23.90	17.91	B	YES	Z		QC-128318-WZ	KKC-10384	KE-90655
128	11.00	9.00	0.40	20.00	14.00	0.95	0.50	0.20	32.80	25.70	B	YES		WITH TIE-BAR	QC-128325-WZ	KKC-10384	KE-90655
128	10.20	10.20	0.38	27.20	27.20	1.27	0.80	0.35	41.75	40.75	B	YES	Z	WITH TIE-BAR	QC-128337-WZ	KKC-10430	KE-91033
128	15.00	15.00	0.38	27.20	27.20	1.27	0.80	0.35	41.75	40.75	B	YES	Z	WITH TIE-BAR	QC-128351-WZ	KKC-10430	KE-91033
128	10.20	10.20	0.38	28.00	28.00	1.27	0.80	0.35			B	YES	F	No.1 PIN	QC-128309-W-1	KKC-10430	KE-91033
128	10.20	10.20	0.38	28.00	28.00	1.27	0.80	0.35	41.75	40.75	B	YES	Z	No.1 PIN WITH TIE-BAR	QC-128311-WZ	KKC-10430	KE-91033
128	13.00	13.00	0.38	28.00	28.00	1.27	0.80	0.35	41.75	40.75	B	YES	Z	WITH TIE-BAR	QC-128303-WZ	KKC-10430	KE-91033
128	13.00	13.00	0.38	28.00	28.00	1.27	0.80	0.35	32.00	32.00	B	YES	Z		QC-128307-WZ	KKC-10430	KE-91033
128	15.00	15.00	0.38	28.00	28.00	1.27	0.80	0.35	32.00	32.00	B	YES	Z		QC-128312-WZ	KKC-10430	KE-91033
128	15.00	15.00	0.38	28.00	28.00	1.27	0.80	0.35	41.75	40.75	B	YES	Z	WITH TIE-BAR	QC-128317-WZ	KKC-10430	KE-91033
128	10.20	10.20	0.38	28.00	28.00	1.27	0.80	0.35	32.00	32.00	B	YES	Z	No.1 PIN	QC-128321-WZ	KKC-10430	KE-91033
132	11.43	11.43	0.38	22.15	22.15	1.27	0.64	0.30			A	YES	F		QC-132414-W-1	KKC-10444	KE-90163
132	11.43	11.43	0.38	24.13	24.13	1.27	0.635	0.30			C	YES	F		QC-132419-W	KKC-10312	KE-91250
132	14.73	14.73	0.38	24.13	24.13	1.27	0.635	0.30			B	YES	F		QC-132431-W	KKC-10899-1	KE-91321-P-2
144	13.00	13.00	0.38	19.20	19.20	1.10	0.50	0.20	22.00	22.00	B	YES	Z		QC-144362-WZ	KKC-10312	KE-91175
144	13.00	13.00	0.38	19.20	19.20	1.10	0.50	0.20	42.18	41.18	B	YES	Z	WITH TIE-BAR	QC-144381-WZ	KKC-10312	KE-91175
144	12.00	12.00	0.38	19.20	19.20	1.10	0.50	0.20	42.18	41.18	B	YES	Z	WITH TIE-BAR	QC-144398-WZ	KKC-10312	KE-91175
144	14.00	14.00	0.38	19.20	19.20	1.10	0.50	0.20	22.00	22.00	B	YES	Z		QC-144528-WZ	KKC-10312	KE-91175
144	10.20	10.20	0.38	27.20	27.20	1.27	0.65	0.30	41.75	40.75	B	YES	Z	WITH TIE-BAR	QC-144375-WZ	KKC-10430	KE-91033
144	10.41	10.41	0.38	28.00	28.00	1.27	0.65	0.30	32.00	32.00	B	YES	Z		QC-144320-WZ	KKC-10430	KE-91033
144	10.41	10.41	0.38	28.00	28.00	1.27	0.65	0.30	41.75	40.75	B	YES	Z	WITH TIE-BAR	QC-144321-WZ	KKC-10430	KE-91033
144	13.00	13.00	0.38	28.00	28.00	1.27	0.65	0.30	41.75	40.75	B	YES	Z	WITH TIE-BAR	QC-144308-WZ	KKC-10430	KE-91033
144	13.00	13.00	0.38	28.00	28.00	1.27	0.65	0.30	41.75	40.75	B	YES	Z	No.1 PIN WITH TIE-BAR	QC-144322-WZ	KKC-10430	KE-91033
144	13.00	13.00	0.38	28.00	28.00	1.27	0.65	0.30	32.00	32.00	B	YES	Z		QC-144310-WZ	KKC-10430	KE-91033
144	16.25	16.25	0.38	28.00	28.00	1.27	0.65	0.30			B	YES	F		QC-144327-W	KKC-10430	KE-91033
144	10.41	10.41	0.38	28.00	28.00	1.27	0.65	0.30			B	YES	F		QC-144343-W	KKC-10430	KE-91033
144	15.00	15.00	0.38	28.00	28.00	1.27	0.65	0.30	41.75	40.75	B	YES	Z	WITH TIE-BAR	QC-144309-WZ	KKC-10430	KE-91033
160	12.00	12.00	0.38	28.00	28.00	1.27	0.65	0.30	41.75	40.75	B	YES	Z	No.1 PIN WITH TIE-BAR	QC-160323-WZ	KKC-10430	KE-91033
160	13.00	13.00	0.38	28.00	28.00	1.27	0.65	0.30	41.75	40.75	B	YES	Z	WITH TIE-BAR	QC-160305-WZ	KKC-10430	KE-91033
160	13.00	13.00	0.38	28.00	28.00	1.27	0.65	0.30	32.00	32.00	B	YES	Z		QC-160310-WZ	KKC-10430	KE-91033
160	15.00	15.00	0.38	28.00	28.00	1.27	0.65	0.30	41.75	40.75	B	YES	Z	WITH TIE-BAR	QC-160321-WZ	KKC-10430	KE-91033
160	12.00	12.00	0.38	28.00	28.00	1.27	0.65	0.30	32.00	32.00	B	YES	Z		QC-160345-WZ	KKC-10430	KE-91033

Notes (1) Die Attach Cavity Option: Bare Ceramic Surface or Gold Paste

(2) Leadframe Surface Finish Option: Aluminum Thin Film Deposition on Wire Bond Area or Electrolytic Gold Plating on All the Surface of Leadframes

(3) CERQUAD is a registered trademark of KYOCERA Corporation.



Inquiries about this list

UNIT : mm [Click here for inch dimensions](#)

R0165C

LEAD COUNT	CAVITY Length E	CAVITY WIDTH D	CAVITY DEPTH F	CERAMIC LENGTH B	CERAMIC WIDTH A	CERAMIC THICKNESS C	EXTERNAL LEAD PITCH P	EXTERNAL LEAD WIDTH W	LEAD TIP TO TIP	LEAD TIP TO TIP	CORNER SHAPE	WINDOW FRAME	BEND FORM	REFERENCE	PACKAGE DRAWING NUMBER	MATCHING GLASS SEAL CERAMIC LID	MATCHING EPOXY SEAL CERAMIC LID
160	15.00	15.00	0.38	28.00	28.00	1.27	0.65	0.30	32.00	32.00	B	YES	Z		QC-160351-WZ	KKC-10430	KE-91033
176	15.00	15.00	0.38	23.20	23.20	1.27	0.50	0.20	26.60	26.60	B	YES	Z		QC-176307-WZ	KKC-10456	KE-91403
176	13.00	13.00	0.38	23.20	23.20	1.27	0.50	0.20	26.60	26.60	B	YES	Z		QC-176316-WZ	KKC-10456	KE-91403
176	13.00	13.00	0.38	23.20	23.20	1.27	0.50	0.20	41.62	40.62	B	YES	Z	WITH TIE-BAR	QC-176319-WZ	KKC-10456	KE-91403
176	12.00	12.00	0.38	23.20	23.20	1.27	0.50	0.20	41.87	40.87	B	YES	Z	WITH TIE-BAR	QC-176334-WZ-1	KKC-10456	KE-91403
176	12.00	12.00	0.38	23.20	23.20	1.27	0.50	0.20	26.00	26.00	B	YES	Z		QC-176335-WZ	KKC-10456	KE-91403
208	15.00	15.00	0.38	27.20	27.20	1.27	0.50	0.20	30.00	30.00	B	YES	Z		QC-208314-WZ	KKC-10430	KE-91033
208	16.50	16.50	0.38	27.20	27.20	1.27	0.50	0.20	41.75	40.75	B	YES	Z	WITH TIE-BAR	QC-208347-WZ	KKC-10430	KE-91033
208	14.00	14.00	0.38	27.20	27.20	1.27	0.50	0.20	41.75	40.75	B	YES	Z	WITH TIE-BAR	QC-208349-WZ	KKC-10430	KE-91033
208	15.00	15.00	0.38	27.20	27.20	1.27	0.50	0.20	41.75	40.75	B	YES	Z	WITH TIE-BAR	QC-208350-WZ	KKC-10430	KE-91033
208	16.50	16.50	0.38	27.20	27.20	1.27	0.50	0.20	30.00	30.00	B	YES	Z		QC-208388-WZ	KKC-10430	KE-91033
208	18.50	18.50	0.38	27.20	27.20	1.27	0.50	0.20	41.75	40.75	B	YES	Z	WITH TIE-BAR	QC-208398-WZ	KKC-10430	KE-91461
208	15.00	15.00	0.38	27.20	27.20	1.27	0.50	0.20	30.60	30.60	B	YES	Z		QC-2083103-WZ	KKC-10430	KE-91033
208	18.50	18.50	0.38	27.20	27.20	1.20	0.50	0.20	40.81	39.81	B	YES	Z	WITH TIE-BAR CAV DOWN	QC-208525-WZ	KKC-10430	KE-91461
208	12.00	12.00	0.38	27.20	27.20	1.27	0.50	0.20	41.75	40.75	B	YES	Z	WITH TIE-BAR	QC-208527-WZ	KKC-10430	KE-91033
208	15.00	15.00	0.38	27.20	27.20	1.27	0.50	0.20	30.60	30.60	B	YES	Z		QC-208346-WZ	KKC-10430	KE-91033
208	14.00	14.00	0.38	27.20	27.20	1.27	0.50	0.20	30.60	30.60	B	YES	Z		QC-208366-WZ	KKC-10430	KE-91033
208	15.00	15.00	0.38	27.20	27.20	1.27	0.50	0.20	32.00	32.00	B	YES	Z		QC-208506-WZ	KKC-10430	KE-91033
208	16.50	16.50	0.38	27.20	27.20	1.27	0.50	0.20	30.60	30.60	B	YES	Z		QC-208526-WZ	KKC-10430	KE-91033
208	14.00	14.00	0.38	28.00	28.00	1.27	0.50	0.20	41.75	40.75	B	YES	Z	WITH TIE-BAR	QC-208309-WZ	KKC-10430	KE-91033
208	15.00	15.00	0.38	28.00	28.00	1.27	0.50	0.20	41.75	40.75	B	YES	Z	WITH TIE-BAR	QC-208319-WZ	KKC-10430	KE-91033
240	15.50	15.50	0.38	31.20	31.20	1.40	0.50	0.20	34.60	34.60	B	YES	Z		QC-240309-WZ	KKC-10799	KE-91287
240	15.50	15.50	0.38	31.20	31.20	1.40	0.50	0.20	50.00	49.00	B	YES	Z	WITH TIE-BAR	QC-240326-WZ-1	KKC-10799	KE-91287
240	17.00	17.00	0.38	31.20	31.20	1.40	0.50	0.20	34.60	34.60	B	YES	Z		QC-240310-WZ	KKC-10799	KE-91287
240	17.00	17.00	0.38	31.20	31.20	1.40	0.50	0.20	50.00	49.00	B	YES	Z	WITH TIE-BAR	QC-240332-WZ	KKC-10799	KE-91287
256	16.50	16.50	0.38	27.20	27.20	1.27	0.40	0.15	41.75	40.75	B	YES	Z	WITH TIE-BAR	QC-256319-WZ	KKC-10430	KE-91033
256	16.50	16.50	0.38	27.20	27.20	1.27	0.40	0.15	30.60	30.60	B	YES	Z		QC-256329-WZ	KKC-10430	KE-91033
256	16.50	16.50	0.38	27.20	27.20	1.27	0.40	0.15	32.00	32.00	B	YES	Z		QC-256315-WZ	KKC-10430	KE-91033
296	20.00	20.00	0.38	31.20	31.20	1.40	0.40	0.18	50.00	49.00	B	YES	Z	WITH TIE-BAR	QC-296306-WZ	KKC-10799	KE-91287
304	20.00	20.00	0.38	39.20	39.20	1.35	0.50	0.20	42.60	42.60	B	YES	Z		QC-304304-WZ	KKC-11160	KE-91867
304	20.00	20.00	0.38	39.20	39.20	1.35	0.50	0.20	56.09	55.09	B	YES	Z	WITH TIE-BAR	QC-304333-WZ	KKC-11160	KE-91867

Notes (1) Die Attach Cavity Option: Bare Ceramic Surface or Gold Paste

(2) Leadframe Surface Finish Option: Aluminum Thin Film Deposition on Wire Bond Area or Electrolytic Gold Plating on All the Surface of Leadframes

(3) CERQUAD is a registered trademark of KYOCERA Corporation.



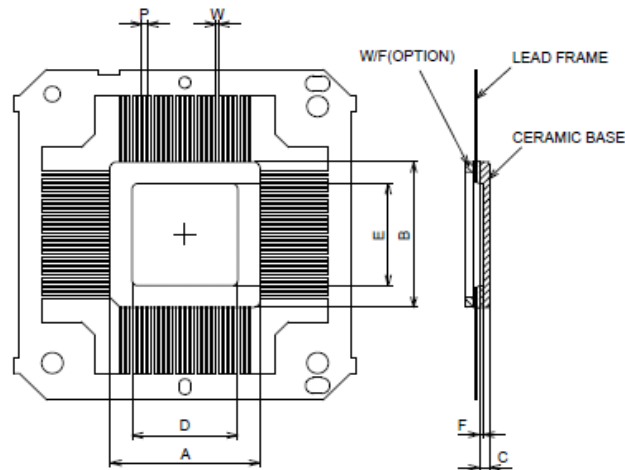
Inquiries about this list

UNIT : mm [Click here for inch dimensions](#)

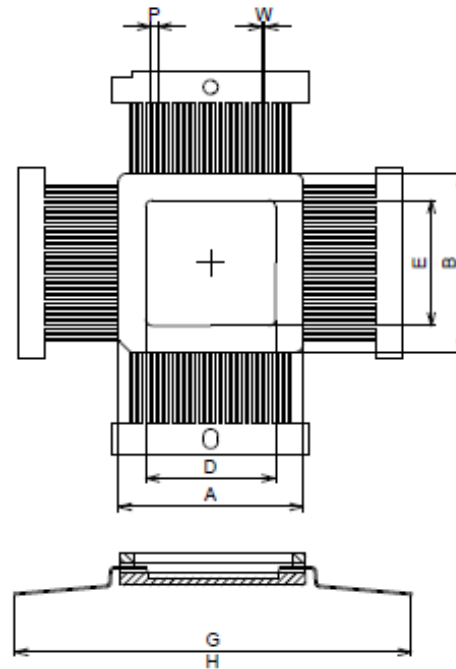
R0165C

LEAD COUNT	CAVITY Length E	CAVITY WIDTH D	CAVITY DEPTH F	CERAMIC LENGTH B	CERAMIC WIDTH A	CERAMIC THICKNESS C	EXTERNAL LEAD PITCH P	EXTERNAL LEAD WIDTH W	LEAD TIP TO TIP	LEAD TIP TO TIP	CORNER SHAPE	WINDOW FRAME	BEND FORM	REFERENCE	PACKAGE DRAWING NUMBER	MATCHING GLASS SEAL CERAMIC LID	MATCHING EPOXY SEAL CERAMIC LID
------------	-----------------	----------------	----------------	------------------	-----------------	---------------------	-----------------------	-----------------------	-----------------	-----------------	--------------	--------------	-----------	-----------	------------------------	---------------------------------	---------------------------------

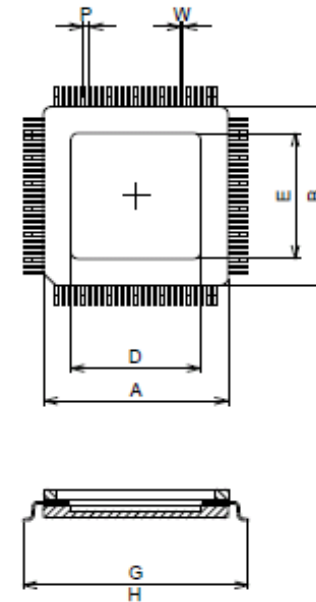
FLAT LEAD



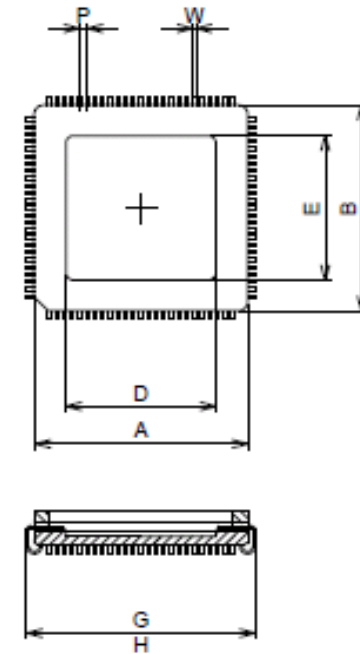
Z BND FORM WITH TIE-BAR



Z BEND FORM



J BEND FORM



DIMENSION
 A: CERAMIC LENGTH
 B: CERAMIC WIDTH
 C: CERAMIC THICKNESS
 D: CAVITY LENGTH
 E: CAVITY WIDTH
 F: CAVITY DEPTH
 P: EXTERNAL LEAD PITCH
 W: EXTERNAL LEAD WIDTH
 G, H: LEAD TIP TO TIP

CERAMIC CONER SHAPE

- A 4-CORNER R
- B 3-CORNER R
1-CHANFER
- C 3-SQ NOTCH
1-CHANFER