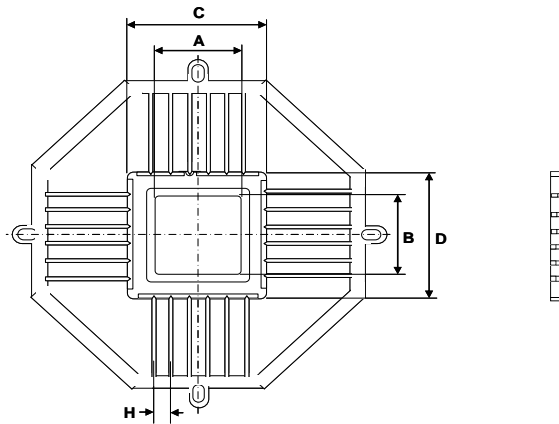


# KYOCERA C-QFP (CERAMIC QUAD FLAT PACKAGES)



Inquiries about this list



UNIT : mm [Click here for inch dimensions](#)

N=No Metallization  
0=No Connection

R0163A

LEAD COUNT	CAVITY			OVERALL C x D	LAYER THICKNESS				PIN/LEAD		KYOCERA MATERIAL CODE A440: Black A473: White	CONNECTION		DRAWING NO.
	DIE CAV. A x B	W/B TIER SINGLE(S) DOUBLE(D)	UP(U) DOWN(D)		1ST	2ND	3RD	TOTAL	S/O HEIGHT	PITCH H		SEAL RING	DIE ATTACH	
24	5.00SQ	S	U	10.16SQ	0.51	0.38	-	1.27	-	1.27	A473	0	0	KD-F84526-A
24	5.97SQ	S	U	10.16SQ	0.51	0.76	-	1.65	-	1.27	A440	0	0	PB-F85444
24	6.2SQ	S	U	10.16SQ	0.51	0.76	-	1.78	-	1.27	A473	0	0	KD-F79613-A
24	6.86 X 5.59	S	U	15.24 X 10.16	0.51	0.51	-	1.78	.508	1.27	A473	0	0	KD-F83389
24	8.89 X 6.10	S	U	15.24 X 10.16	0.51	0.51	-	2.16	.889	1.27	A473	0	0	KD-F89139-A
24	8.89 X 7.62	S	U	15.24 X 10.16	0.64	0.64	-	2.03	.508	1.27	A440	0	0	KD-F86043-C
28	6.35 X 5.08	S	U	18.29 X 12.7	0.51	0.64	-	2.34	.889	1.27	A440	0	0	KD-F89140-A
28	8.89 7.37	S	U	18.29 X 12.7	0.38	0.76	-	1.83	.381	1.27	A440	0	0	KD-F86498
32	6.35SQ	S	U	10.67SQ	0.38	0.38	-	1.27	-	1.02	A440	0	0	PB-F87012
42	6.10SQ	S	U	26.92 X 16.26	0.64	0.64	-	2.03	-	1.27	A473	0	0	KD-F83566
42	7.62SQ	S	U	26.92 X 16.26	0.64	0.64	-	2.03	-	1.27	A473	0	0	KD-F89735-A
42	7.87MIN SQ	S	U	26.92 X 16.26	0.64	0.64	-	2.03	-	1.27	A473	0	0	KD-F87371
44	7.62SQ	S	U	16.51SQ	0.51	0.51	-	1.65	-	1.27	A440	0	0	PB-12941-C
48	7.11SQ	S	U	19.05MAX SQ	0.51	0.64	-	2.16	-	1.27	A440	0	0	KD-F86943
48	7.62SQ	S	U	19.05MAX SQ	0.58	0.51	-	2.44MAX	-	1.27	A440	0	0	KD-F86889
48	8.89SQ	S	U	14.22SQ	0.76	0.38	-	1.65	-	1.02	A440	0	0	PB-F86321
64	6.35SQ	S	U	17.78SQ	0.51	0.51	-	1.52	-	1.02	A440	0	0	PB-F86053

UNIT : mm    [Click here for inch dimensions](#)

N=No Metallization  
0=No Connection

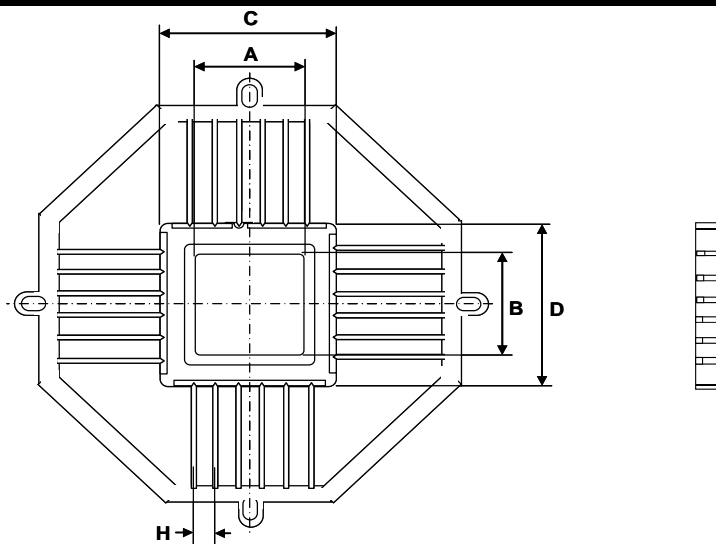
R0163A

LEAD COUNT	CAVITY			OVERALL C x D	LAYER THICKNESS				PIN/LEAD		KYOCERA MATERIAL CODE A440: Black A473: White	CONNECTION		DRAWING NO.
	DIE CAV. A x B	W/B TIER SINGLE(S) DOUBLE(D)	UP(U) DOWN(D)		1ST	2ND	3RD	TOTAL	S/O HEIGHT	PITCH H		SEAL RING	DIE ATTACH	
64	7.62SQ	S	U	22.86SQ	0.51	0.51	-	1.52	-	1.27	A473	0	0	KD-F81281
64	8.13SQ	S	U	17.78SQ	0.51	0.51	-	1.52	-	1.02	A440	0	0	PB-23866
64	10.16SQ	S	U	22.86SQ	0.51	0.51	-	2.03	-	1.27	A473	0	0	KD-F87714
64	12.7SQ	S	U	22.86SQ	0.51	0.51	-	1.52	-	1.27	A473	0	0	KD-F85417
68	8.89SQ	S	U	24.13SQ	0.51	0.64	-	2.16	-	1.27	A440	0	0	PB-F86113-A
76	7.62SQ	S	U	26.67SQ	0.42	0.42	-	1.26	-	1.27	A473	14	54	KD-F85955-B
84	9.80SQ	S	U	29.49SQ	0.51	0.51	-	1.52	-	1.27	A473	0	0	KD-F88477-A
84	9.91SQ	S	U	29.21SQ	0.51	0.51	-	2.03	-	1.27	A440	0	0	PB-F85642
84	11.94SQ	S	U	29.21SQ	0.51	0.51	-	2.03	-	1.27	A440	0	0	PB-44795
100	9.02SQ	S	U	19.05SQ	0.51	0.51	-	1.65	-	0.64	A440	0	0	PB-F95084
132	10.16SQ	S	U	24.13SQ	0.64	0.51	-	1.91	-	0.64	A440	0	0	PB-F86099-A
132	11.43SQ	S	U	24.13SQ	0.64	0.51	-	1.91	-	0.64	A440	0	0	PB-F86259-A
172	12.19SQ	S	U	29.21SQ	0.51	0.38	0.51	2.29	-	0.64	A440	0	0	PB-F87269-A
196	11.81SQ	D	U	34.29SQ	0.25	0.25	0.64	2.03	-	0.64	A440	N	27, 72, 76, 124, 170, 174	PB-F85221-C

# KYOCERA C-QFP (CERAMIC QUAD FLAT PACKAGES)



Inquiries about this list



UNIT : inch [Click here for metric dimensions](#)

N=No Metallization

0=No Connection

R0163A

LEAD COUNT	CAVITY			OVERALL C x D	LAYER THICKNESS				PIN/LEAD		KYOCERA MATERIAL CODE A440: Black A473 : White	CONNECTION		DRAWING NO.
	DIE CAV. A x B	W/B TIER SINGLE(S) DOUBLE(D)	UP(U) DOWN(D)		1ST	2ND	3RD	TOTAL	S/O HEIGHT	PITCH H		SEAL RING	DIE ATTACH	
24	.197SQ	S	U	.400SQ	.020	.015	-	.050	-	.050	A473	0	0	KD-F84526-A
24	.235SQ	S	U	.400SQ	.020	.030	-	.065	-	.050	A440	0	0	PB-F85444
24	.244SQ	S	U	.400SQ	.020	.030	-	.070	-	.050	A473	0	0	KD-F79613-A
24	.270 X .220	S	U	.600 X .400	.020	.020	-	.070	.020	.050	A473	0	0	KD-F83389
24	.350 X .240	S	U	.600 X .400	.020	.020	-	.085	.035	.050	A473	0	0	KD-F89139-A
24	.350 X .300	S	U	.600 X .400	.025	.025	-	.080	.020	.050	A440	0	0	KD-F86043-C
28	.250 X .200	S	U	.720 X .500	.020	.025	-	.092	.035	.050	A440	0	0	KD-F89140-A
28	.350 X .290	S	U	.720 X .500	.015	.030	-	.072	.015	.050	A440	0	0	KD-F86498
32	.250SQ	S	U	.420SQ	.015	.015	-	.050	-	.040	A440	0	0	PB-F87012
42	.240SQ	S	U	1.060 X .640	.025	.025	-	.080	-	.050	A473	0	0	KD-F83566
42	.300SQ	S	U	1.060 X .640	.025	.025	-	.080	-	.050	A473	0	0	KD-F89735-A
42	.310MIN.SQ	S	U	1.060 X .640	.025	.025	-	.080	-	.050	A473	0	0	KD-F87371
44	.300SQ	S	U	.650SQ	.020	.020	-	.065	-	.050	A440	0	0	PB-12941-C

UNIT : inch [Click here for metric dimensions](#)

N=No Metallization

0=No Connection

R0163A

LEAD COUNT	CAVITY			OVERALL C x D	LAYER THICKNESS				PIN/LEAD		KYOCERA MATERIAL CODE A440: Black A473 : White	CONNECTION		DRAWING NO.
	DIE CAV. A x B	W/B TIER SINGLE(S) DOUBLE(D)	UP(U) DOWN(D)		1ST	2ND	3RD	TOTAL	S/O HEIGHT	PITCH H		SEAL RING	DIE ATTACH	
48	.280SQ	S	U	.750MAX.SQ	.020	.025	-	.085	-	.050	A440	0	0	KD-F86943
48	.300SQ	S	U	.750MAX.SQ	.023	.020	-	.096MAX.	-	.050	A440	0	0	KD-F86889
48	.350SQ	S	U	.560SQ	.030	.015	-	.065	-	.040	A440	0	0	PB-F86321
64	.250SQ	S	U	.700SQ	.020	.020	-	.060	-	.040	A440	0	0	PB-F86053
64	.300SQ	S	U	.900SQ	.020	.020	-	.060	-	.050	A473	0	0	KD-F81281
64	.320SQ	S	U	.700SQ	.020	.020	-	.060	-	.040	A440	0	0	PB-23866
64	.400SQ	S	U	.900SQ	.020	.020	-	.080	-	.050	A473	0	0	KD-F87714
64	.500SQ	S	U	.900SQ	.020	.020	-	.060	-	.050	A473	0	0	KD-F85417
68	.350SQ	S	U	.950SQ	.020	.025	-	.085	-	.050	A440	0	0	PB-F86113-A
76	.300SQ	S	U	1.050SQ	.0165	.0165	-	.0495	-	.050	A473	14	54	KD-F85955-B
84	.386SQ	S	U	1.161SQ	.020	.020	-	.060	-	.050	A473	0	0	KD-F88477-A
84	.390SQ	S	U	1.150SQ	.020	.020	-	.080	-	.050	A440	0	0	PB-F85642
84	.470SQ	S	U	1.150SQ	.020	.020	-	.080	-	.050	A440	0	0	PB-44795
100	.355SQ	S	U	.750SQ	.020	.020	-	.065	-	.025	A440	0	0	PB-F95084
132	.400SQ	S	U	.950SQ	.025	.020	-	.075	-	.025	A440	0	0	PB-F86099-A
132	.450SQ	S	U	.950SQ	.025	.020	-	.075	-	.025	A440	0	0	PB-F86259-A
172	.480SQ	S	U	1.150SQ	.020	.015	.020	.090	-	.025	A440	0	0	PB-F87269-A
196	.465SQ	D	U	1.350SQ	.010	.010	.025	.080	-	.025	A440	N	27, 72, 76, 124, 170, 174	PB-F85221-C