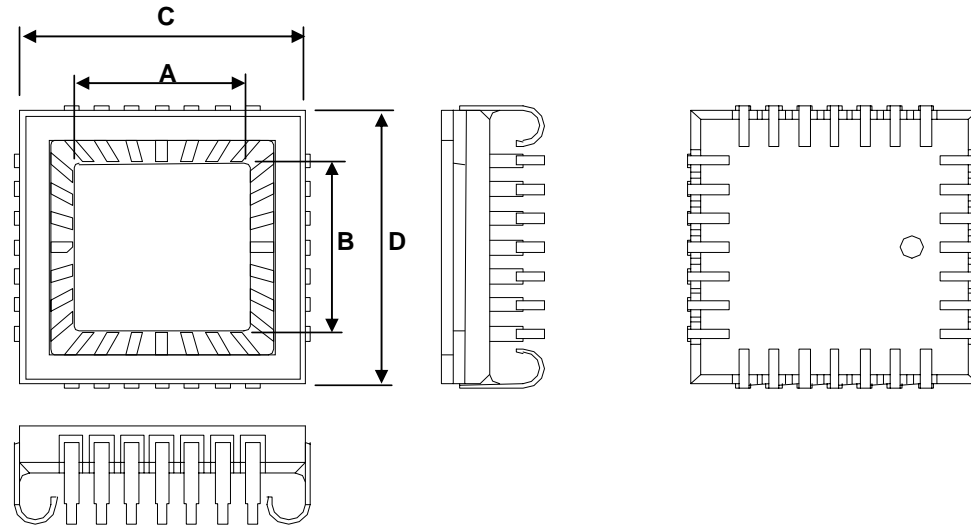


KYOCERA CQFJ (CERAMIC QUAD FLAT J-LEADED PACKAGES)



Inquiries about this list



UNIT : mm [Click here for inch dimensions](#)

N=No Metallization

0=No Connection

R0167A

LEAD COUNT	DIE CAV A x B	OVERALL C x D	LAYER THICKNESS				LEAD		KYOCERA MATERIAL CODE A440: Black	CONNECTION		DRAWING NO.
			1ST	2ND	3RD	TOTAL	STAND OFF HEIGHT	PITCH		SEAL RING	DIE ATTACH	
28	4.06x3.56	11.43SQ	0.51	0.51	-	1.52	0.89	1.27	A440	0	0	PB-F86193
28	6.10SQ	11.43SQ	0.51	0.51	-	1.52	0.89	1.27	A440	0	0	PB-F87048
28	6.86SQ	11.43SQ	0.51	0.51	-	1.78	1.98	1.27	A440	0	0	PB-F86256
28	7.37SQ	12.04SQ	0.51	0.51	-	2.03	2.29	1.27	A440	0	0	PB-F88345
44	6.35SQ	16.51SQ	0.51	0.51	-	1.65	0.94	1.27	A440	0	0	PB-F86079
44	7.62SQ	16.51SQ	0.51	0.51	-	1.65	1.02	1.27	A440	0	0	PB-F86090-A
44	7.62SQ	16.51SQ	0.51	0.51	-	1.52	1.14	1.27	A440	0	0	PB-F86091
44	8.64SQ	16.51SQ	0.51	0.64	-	1.78	0.89	1.27	A440	0	0	PB-F86315
44	8.64SQ	16.51SQ	0.51	0.64	-	1.78	0.89	1.27	A440	0	0	PB-F86767
44	10.16SQ	16.51SQ	0.51	0.51	-	1.65	1.02	1.27	A440	0	0	PB-F86641
44	11.18SQ	16.51SQ	0.51	0.64	-	1.78	0.89	1.27	A440	0	0	PB-F87049

UNIT : mm [Click here for inch dimensions](#)

N=No Metallization

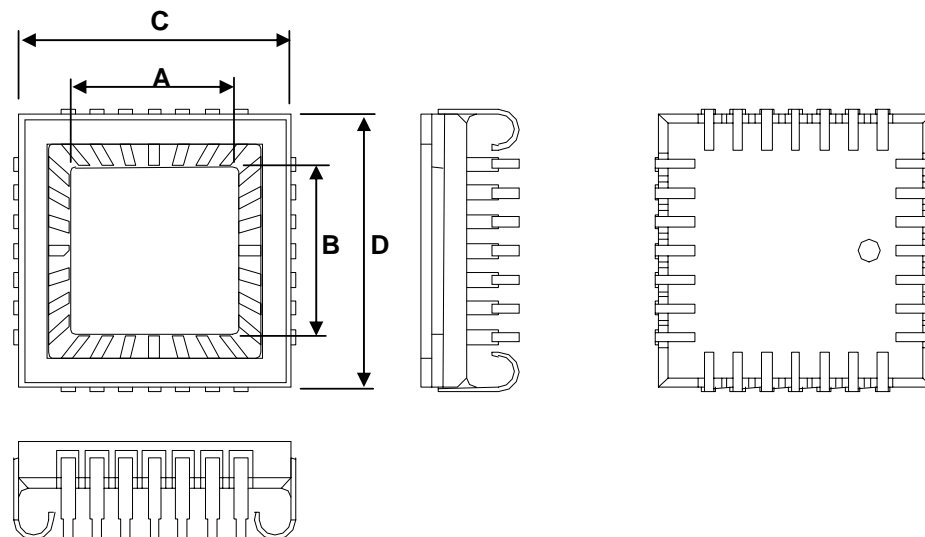
0=No Connection

R0167A

LEAD COUNT	DIE CAV A x B	OVERALL C x D	LAYER THICKNESS				LEAD		KYOCERA MATERIAL CODE A440: Black	CONNECTION		DRAWING NO.
			1ST	2ND	3RD	TOTAL	STAND OFF HEIGHT	PITCH		SEAL RING	DIE ATTACH	
48	6.60SQ	14.22SQ	0.64	0.64	-	2.03	0.89	1.02	A440	0	0	PB-F88206
52	7.62SQ	19.05SQ	0.51	0.64	-	1.65	0.89	1.27	A440	0	0	PB-F90273
52	8.89SQ	19.05SQ	0.51	0.51	-	1.52	0.89	1.27	A440	0	0	PB-F86237
68	7.62SQ	24.13SQ	0.51	0.51	-	2.03	0.89	1.27	A440	0	0	PB-F86320-A
68	8.26SQ	24.13SQ	0.51	0.76	-	2.03	0.89	1.27	A440	0	0	PB-F85652
68	10.16SQ	24.13SQ	0.51	0.64	-	2.03	0.89	1.27	A440	0	0	PB-F86764
68	10.16SQ	24.13SQ	0.51	0.51	-	2.03	0.89	1.27	A440	0	0	PB-F87530-A
68	11.68SQ	24.13SQ	0.51	0.51	-	2.03	0.89	1.27	A440	0	0	PB-F87032
68	11.94SQ	24.13SQ	0.51	0.51	-	2.03	0.89	1.27	A440	0	0	PB-F86635
84	7.62SQ	29.21SQ	0.51	0.64	-	2.03	0.89	1.27	A440	0	0	PB-F88432
84	7.62SQ	29.21SQ	0.76	0.38	-	1.65	2.16	1.27	A440	0	0	PB-F86074
84	7.62SQ	29.21SQ	0.51	0.51	-	2.03	1.78	1.27	A440	0	0	PB-F86319
84	10.16SQ	29.21SQ	0.51	0.76	-	2.03	1.78	1.27	A440	0	0	PB-F86474
84	11.68SQ	29.21SQ	0.51	0.76	-	2.03	0.89	1.27	A440	0	0	PB-F86521-A
84	12.70SQ	29.21SQ	0.51	0.76	-	2.03	1.78	1.27	A440	0	0	PB-F86475

KYOCERA CQFJ (CERAMIC QUAD FLAT J-LEADED PACKAGES)

Inquiries about this list



UNIT : inch [Click here for metric dimensions](#)

N=No Metallization

0=No Connection

R0167A

LEAD COUNT	DIE CAV A x B	OVERALL C x D	LAYER THICKNESS				LEAD		KYOCERA MATERIAL CODE A440: Black	CONNECTION		DRAWING NO.
			1ST	2ND	3RD	TOTAL	STAND OFF HEIGHT	PITCH		SEAL RING	DIE ATTACH	
28	.160 X .140	.450SQ	.020	.020	-	.060	.035	.050	A440	0	0	PB-F86193
28	.240SQ	.450SQ	.020	.020	-	.060	.035	.050	A440	0	0	PB-F87048
28	.270SQ	.450SQ	.020	.020	-	.070	.078	.050	A440	0	0	PB-F86256
28	.290SQ	.474SQ	.020	.020	-	.080	.090	.050	A440	0	0	PB-F88345
44	.250SQ	.650SQ	.020	.020	-	.065	.037	.050	A440	0	0	PB-F86079
44	.300SQ	.650SQ	.020	.020	-	.065	.040	.050	A440	0	0	PB-F86090-A
44	.300SQ	.650SQ	.020	.020	-	.060	.045	.050	A440	0	0	PB-F86091
44	.340SQ	.650SQ	.020	.025	-	.070	.035	.050	A440	0	0	PB-F86315

UNIT : inch [Click here for metric dimensions](#)

N=No Metallization

0=No Connection

R0167A

LEAD COUNT	DIE CAV A x B	OVERALL C x D	LAYER THICKNESS				LEAD		KYOCERA MATERIAL CODE A440: Black	CONNECTION		DRAWING NO.
			1ST	2ND	3RD	TOTAL	STAND OFF HEIGHT	PITCH		SEAL RING	DIE ATTACH	
44	.340SQ	.650SQ	.020	.025	-	.070	.035	.050	A440	0	0	PB-F86767
44	.400SQ	.650SQ	.020	.020	-	.065	.040	.050	A440	0	0	PB-F86641
44	.440SQ	.650SQ	.020	.025	-	.070	.035	.050	A440	0	0	PB-F87049
48	.260SQ	.560SQ	.025	.025	-	.080	.035	.040	A440	0	0	PB-F88206
52	.300SQ	.750SQ	.020	.025	-	.065	.035	.050	A440	0	0	PB-F90273
52	.350SQ	.75SQ	.020	.020	-	.060	.035	.050	A440	0	0	PB-F86237
68	.300SQ	.950SQ	.020	.020	-	.080	.035	.050	A440	0	0	PB-F86320-A
68	.325SQ	.950SQ	.020	.030	-	.080	.035	.050	A440	0	0	PB-F85652
68	.400SQ	.950SQ	.020	.025	-	.080	.035	.050	A440	0	0	PB-F86764
68	.400SQ	.950SQ	.020	.020	-	.080	.035	.050	A440	0	0	PB-F87530-A
68	.460SQ	.950SQ	.020	.020	-	.080	.035	.050	A440	0	0	PB-F87032
68	.470SQ	.950SQ	.020	.020	-	.080	.035	.050	A440	0	0	PB-F86635
84	.300SQ	1.150SQ	.020	.025	-	.080	.035	.050	A440	0	0	PB-F88432
84	.300SQ	1.150SQ	.030	.015	-	.065	.085	.050	A440	0	0	PB-F86074
84	.300SQ	1.150SQ	.020	.020	-	.080	.070	.050	A440	0	0	PB-F86319
84	.400SQ	1.150SQ	.020	.030	-	.080	.070	.050	A440	0	0	PB-F86474
84	.460SQ	1.150SQ	.020	.030	-	.080	.035	.050	A440	0	0	PB-F86521-A
84	.500SQ	1.150SQ	.020	.030	-	.080	.070	.050	A440	0	0	PB-F86475