

Standard Ferrule Product List

[1. Single Mode Ferrule](#) (p2, p3, p4, p5)

[2. Multi Mode Ferrule](#) (p6, p7)

[3. Ferrule for Attenuator](#) (p8)

[4. Capillary](#) (p9)

1. Single Mode Ferrule

Inquiry Code

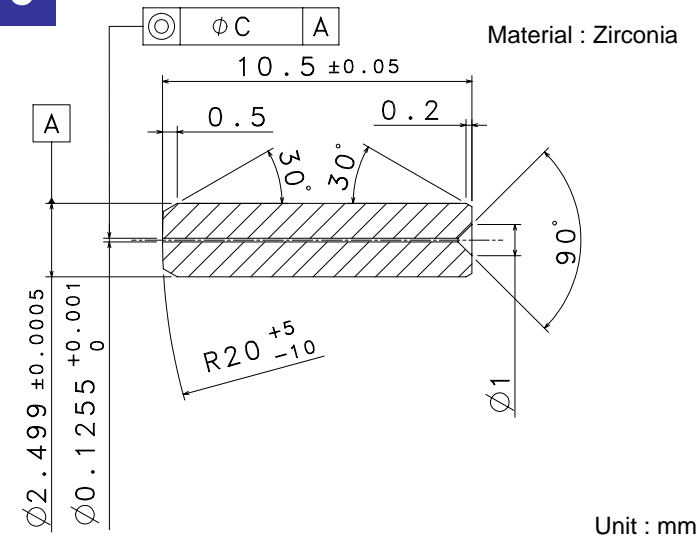
K C - **S** - -

Type **Flange** **Concentricity (C)**

- | | | |
|--|--------------------|------------|
| 1 : SC / FC PC | 0 : Without Flange | 1 : 0.0010 |
| 2 : SC / FC Pencil | 1 : With Flange | 2 : 0.0014 |
| 3 : SC / FC Step | | |
| 4 : ST PC | | |
| 5 : LC | | |
| 6 : MU | | |
| 7 : MU (for so-called "Low Cost MU Connector") | | |

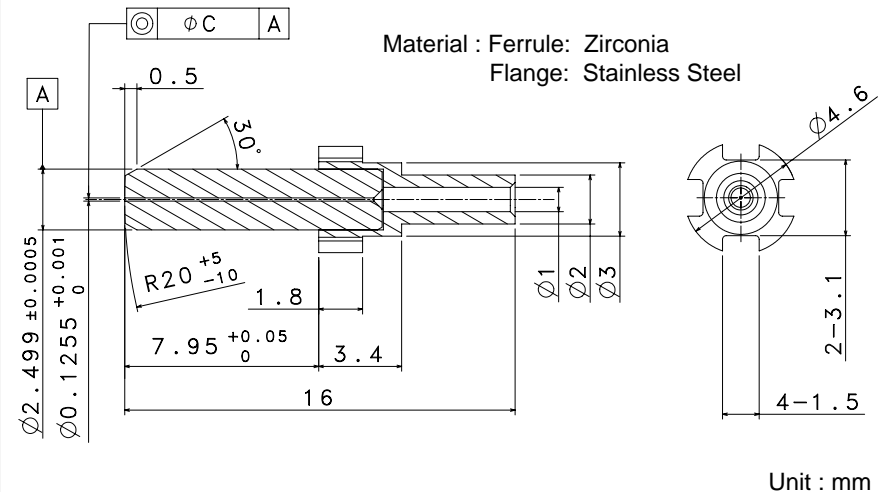
KC1S-0

For SC / FC Connector, PC, without Flange



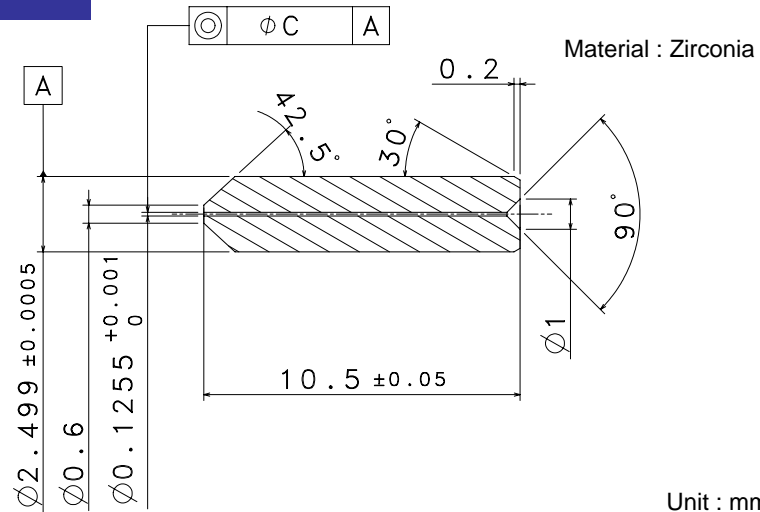
KC1S-1

For SC / FC Connector, PC, with Flange



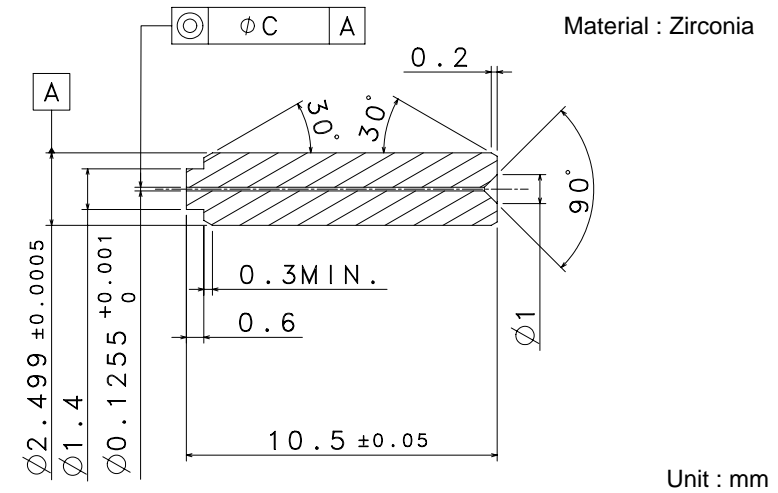
KC2S-0

For SC / FC Connector, Pencil, without Flange



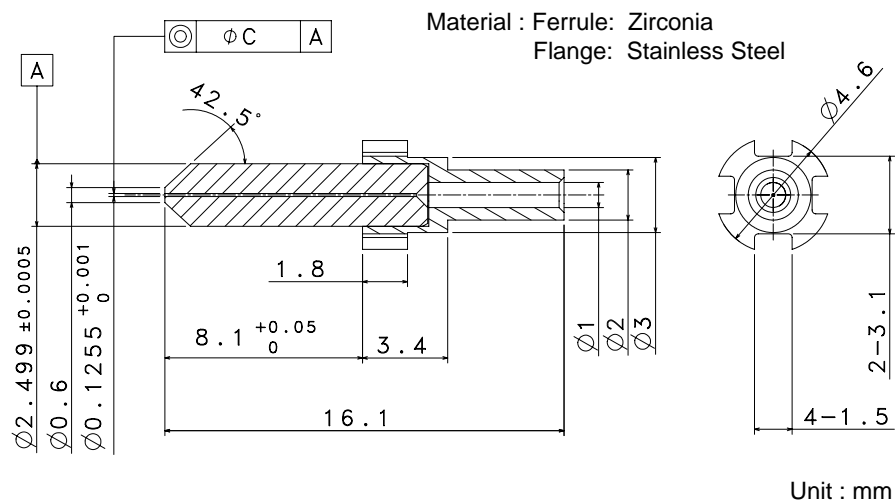
KC3S-0

For SC / FC Connector, Step, without Flange



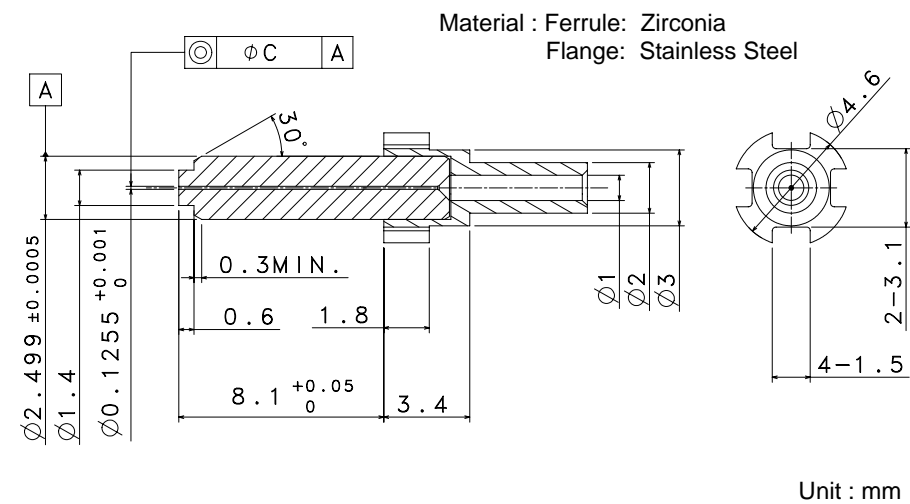
KC2S-1

For SC / FC Connector, Pencil, with Flange

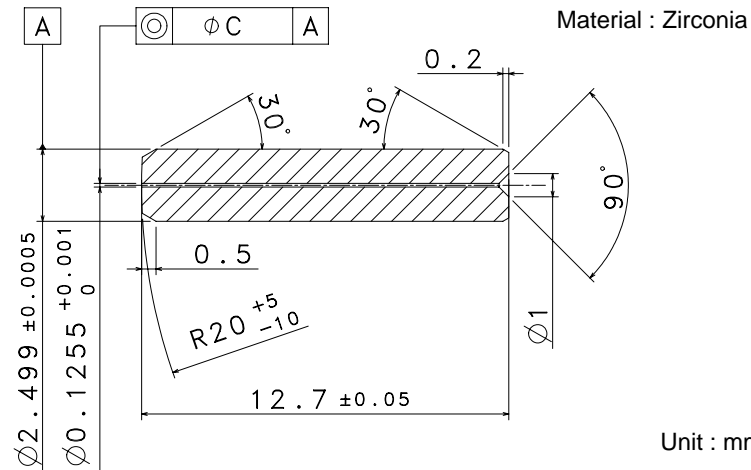


KC3S-1

For SC / FC Connector, Step, with Flange

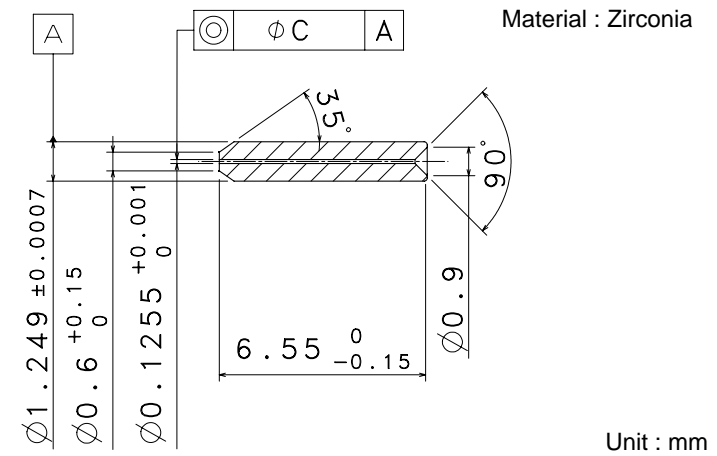


KC4S-0 For ST Connector, PC, without Flange

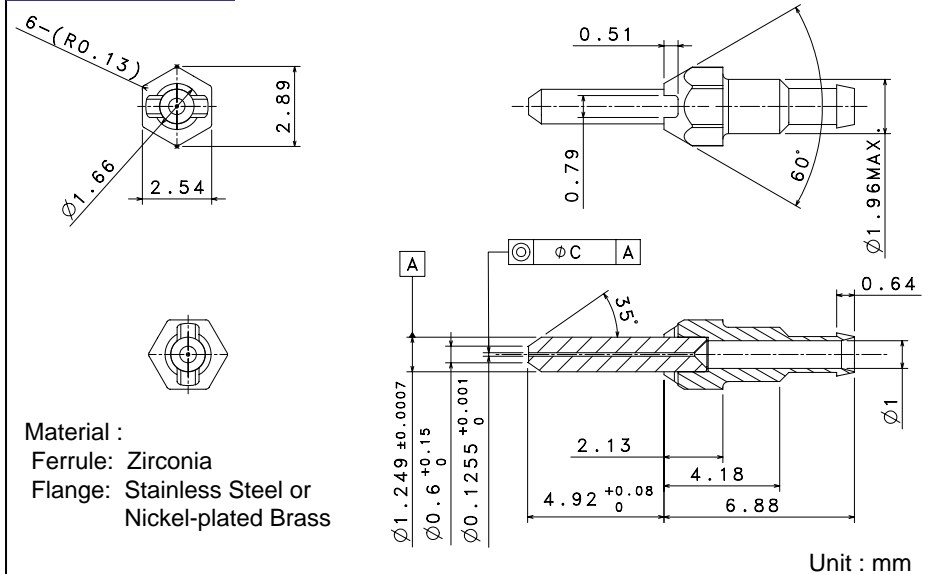


ST is a registered trademark of Furukawa Electric North America, Inc. in the United States of America.

KC5S-0 For LC Connector, without Flange

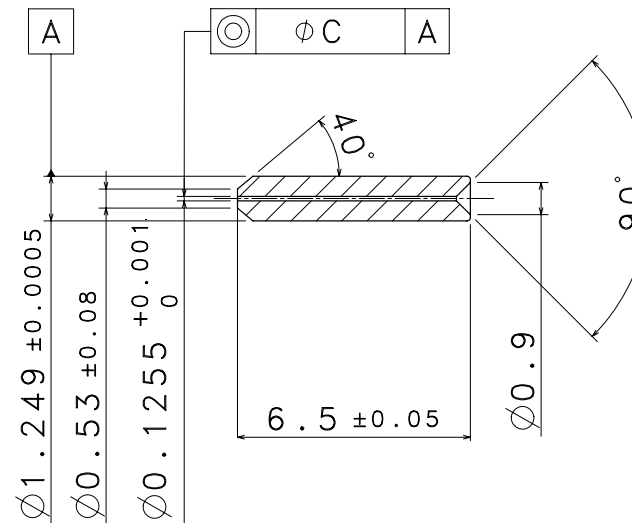


KC5S-1 For LC Connector, with Flange



KC6S-0

For MU Connector, without Flange

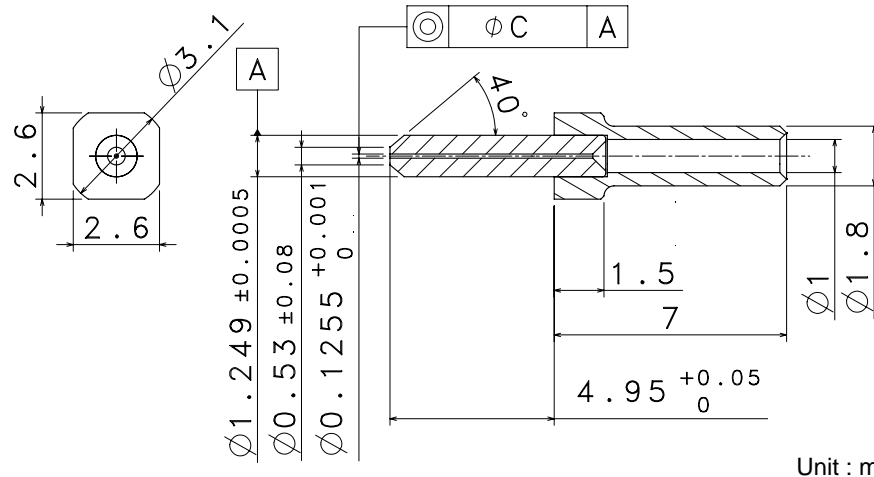


Unit : mm

KC6S-1

For MU Connector, with Flange

Material : Ferrule: Zirconia
Flange: Stainless Steel

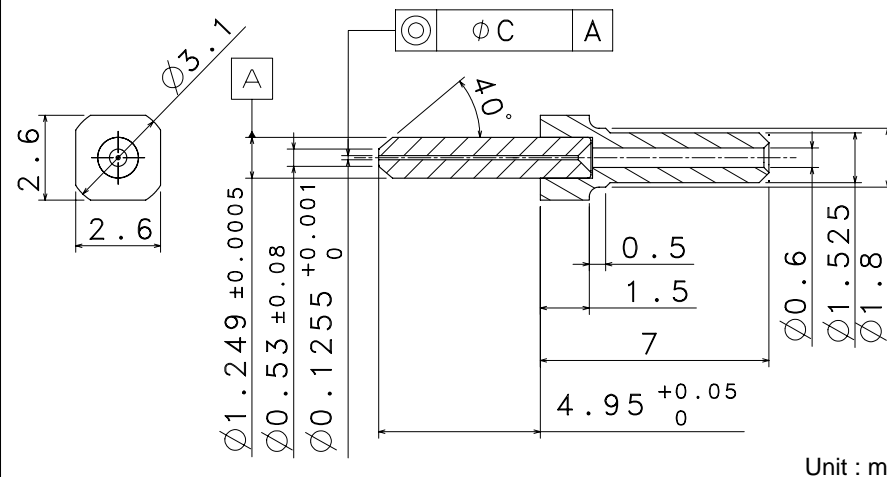


Unit : mm

KC7S-1

For so-called "Low Cost MU Connector",
with Flange

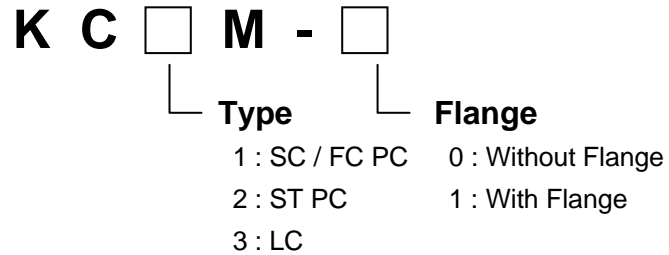
Material : Ferrule: Zirconia
Flange: Stainless Steel



Unit : mm

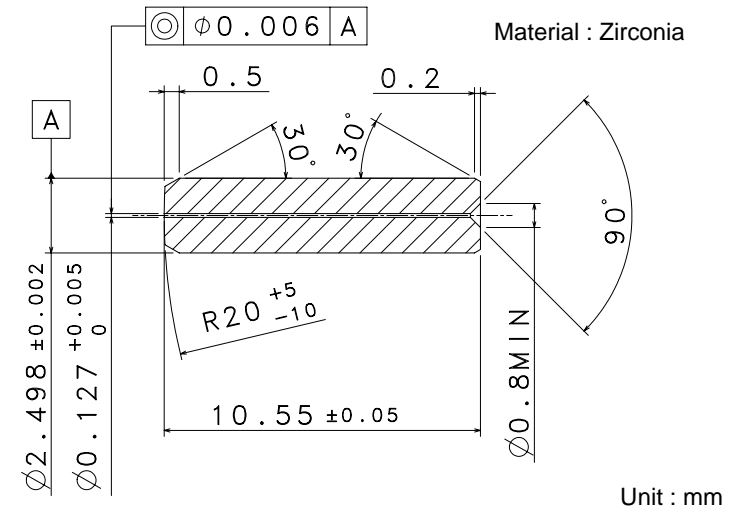
2. Multimode Ferrule

Inquiry Code



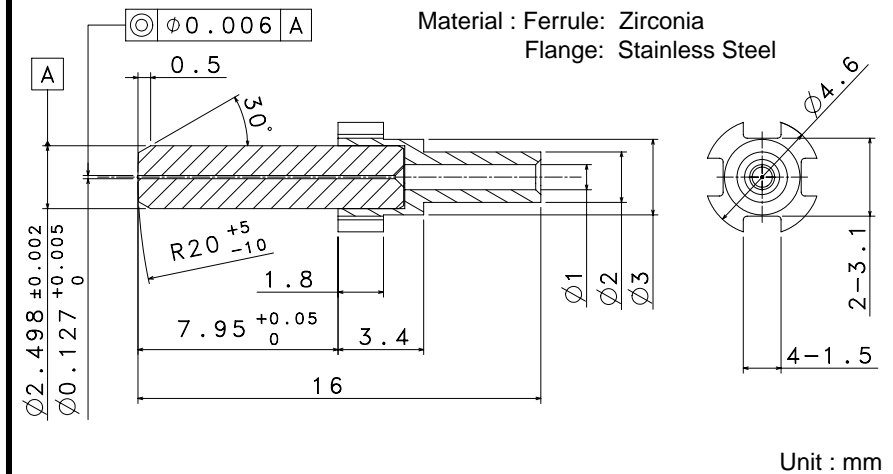
KC1M-0

For SC / FC Connector, PC, without Flange



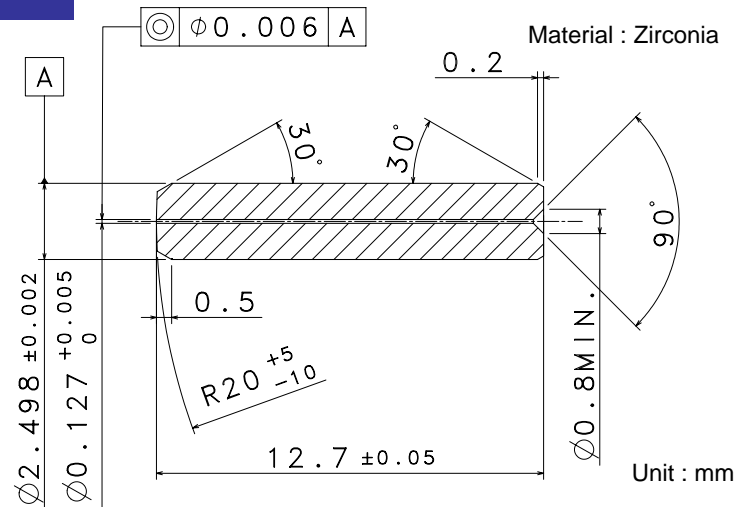
KC1M-1

For SC / FC Connector, PC, with Flange



KC2M-0

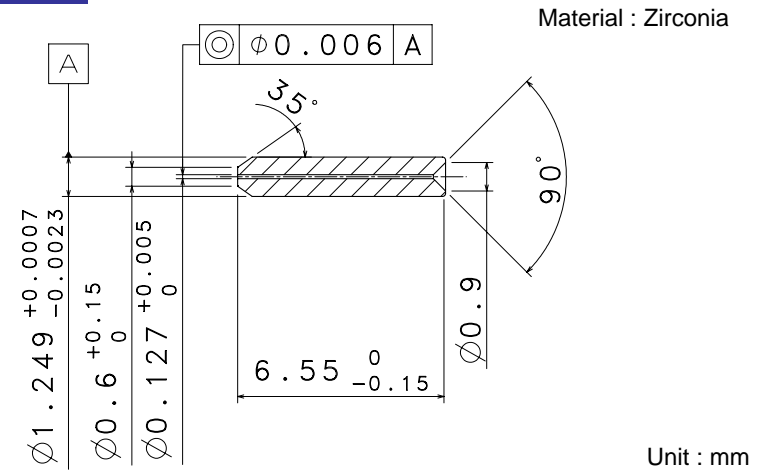
For ST Connector, PC, without Flange



ST is a registered trademark of Furukawa Electric North America, Inc. in the United States of America.

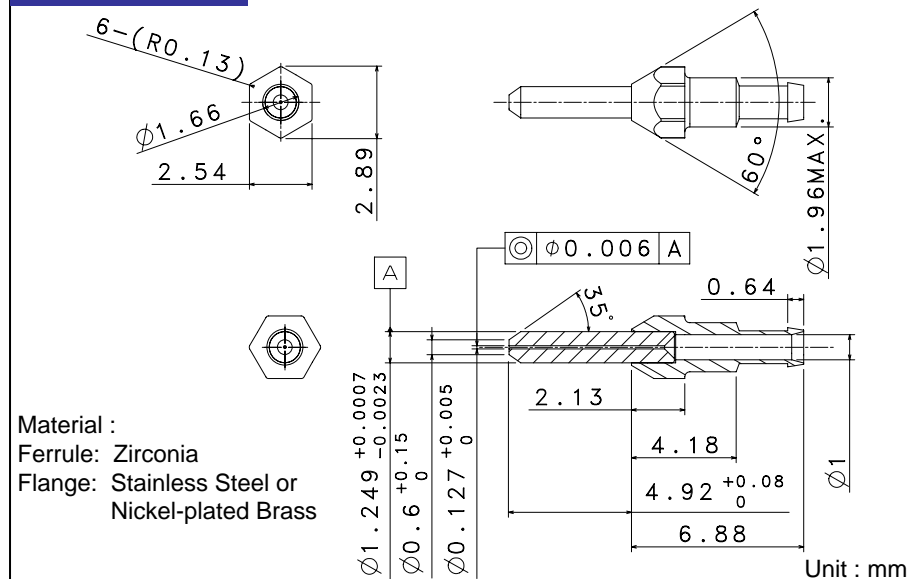
KC3M-0

For LC Connector, without Flange



KC3M-1

For LC Connector, with Flange



3. Ferrule for Attenuator

■ Inquiry Code

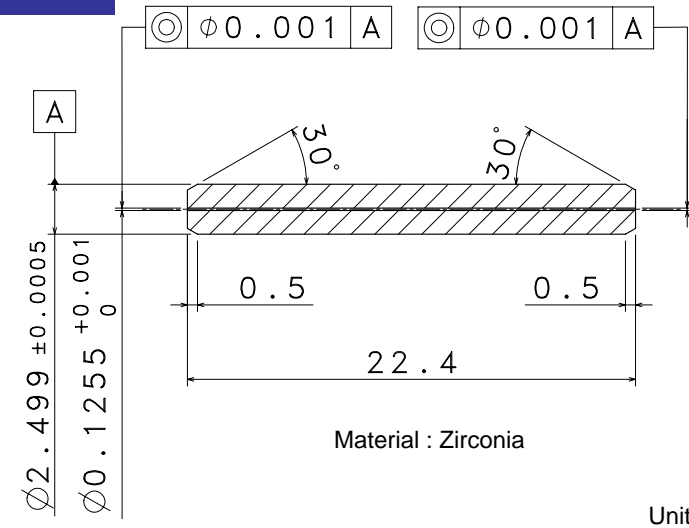
K C A T -

Outer Diameter

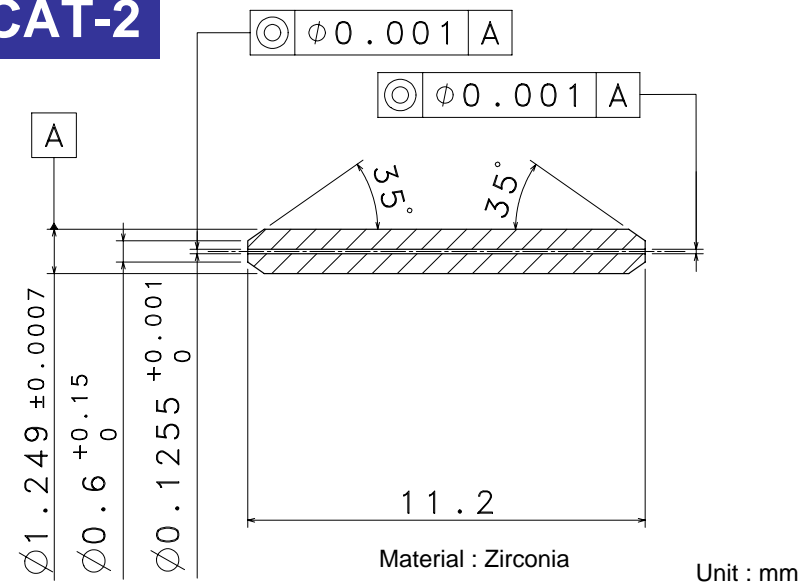
- 1. f2.5
- 2. f1.25

■ For other length, please contact a KYOCERA sales engineer.

KCAT-1



KCAT-2



4. Capillary

■ Inquiry Code

K C C A

