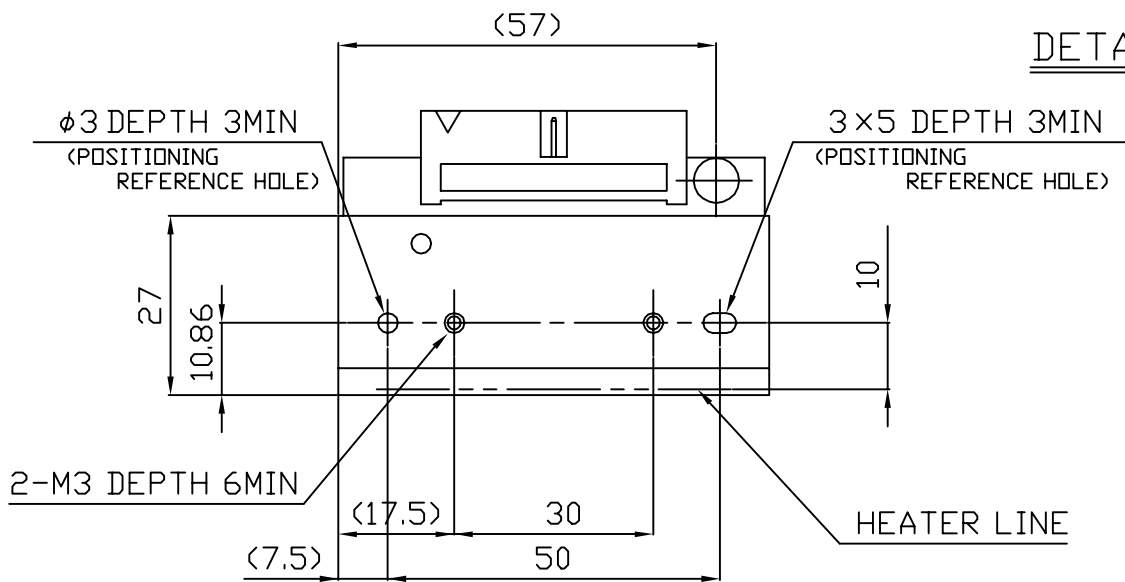


DETAIL "A"



KCE-53-12PAT1-STA