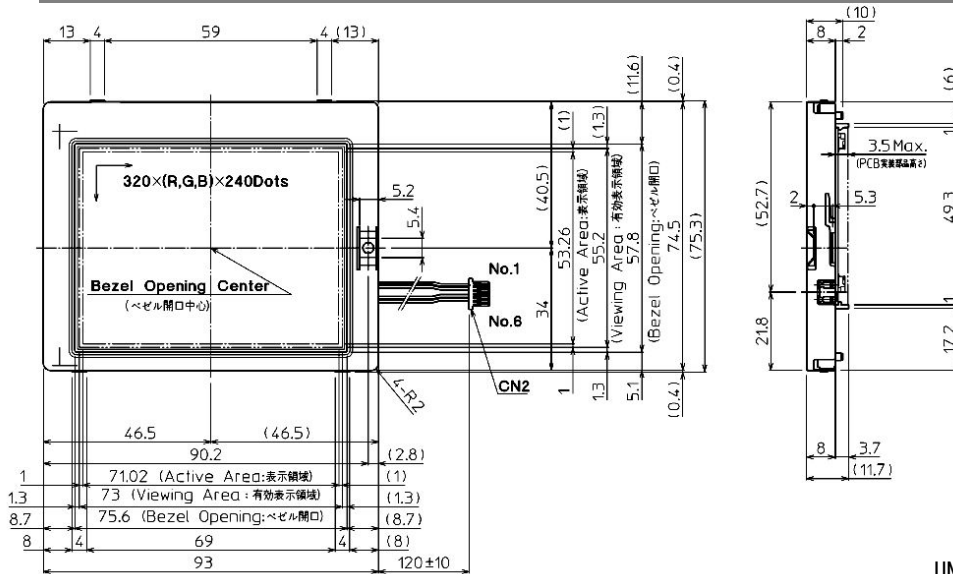


LED Backlight

**3.5"** Passive Matrix Color LCD Module  
**KCG035QVLAC-G01**



UNIT : mm

**Features**

- RoHS Compliant
- With LED B/L
- Symmetrical Design (Horizontal)
- Single Power Supply (With DC/DC Converter)
- Long Life LED 50,000 (h) (Estimated Value)
- Without Constant Current Circuit for LED B/L (Option)
- V Series Compatible Design  
 KG035QV --- Monochrome STN

**Applications**

- Display for Industrial Machine
- Measuring Instrument, Chart Recorder, Scale
- POS, Bank Terminal
- Fish Finder, Musical Instrument, Sewing Machine

**Specification**

ITEM	SPECIFICATION	UNIT
Dot Format	320 × (R, G, B) (W) × 240 (H)	dot
Dot Pitch	0.074 (W) × 0.222 (H)	mm
Outline Dimensions	93 (W) × 75.3 (H) × 11.7 (D)	mm
Mass	80	g
Contrast Ratio	50:1	—
Brightness	280 (IF=25mA/1 Line)	cd/m <sup>2</sup>
Response Time	450	ms
Viewing Angle (V/H)	120/100 (CR ≥ 2)	deg.
Power Consumption	63.0 (VDD=3.3V) 65.0 (VDD=5.0V) (LCD) 1.16 (Backlight)	mW W
Backlight	LED	—
Duty	1/240	—

ATTENTION : Specification subject to change without notice.  
 Please check the latest version of the product specification.

**KYOCERA CORPORATION**  
**LCD Division**

6 Takeda Tobadono-cho, Fushimi-ku, Kyoto 612-8501 Japan  
 Phone: +81-75-604-3751 <http://www.kyocera.co.jp/lcd/>

- KYOCERA INDUSTRIAL CERAMICS CORPORATION (USA)  
 Phone(Toll Free) : +1-800-826-0527 <http://www.kyocera.com/>
- KYOCERA FINECERAMICS GmbH (GERMANY)  
 Phone : +49-711-939-3439 <http://www.kyocera.de/>
- KYOCERA FINECERAMICS S.A. (FRANCE)  
 Phone : +33-1-45120239
- KYOCERA FINECERAMICS LTD. (UK)  
 Phone : +44-1252-776000
- KYOCERA ASIA PACIFIC PTE. LTD. (SINGAPORE)  
 Phone : +65-6271-0500
- KYOCERA ASIA PACIFIC PTE. LTD. TAIPEI BRANCH (TAIWAN)  
 Phone : +886-2-2555-3609
- KYOCERA ASIA PACIFIC LTD. (HONG KONG)  
 Phone : +852-2723-7183
- KYOCERA (Tianjin) SALES & TRADING CORPORATION (CHINA)  
 Phone : +86-10-8528-8838 ext.103