



Ph Free

RoHS Compliant

Features

- Ultra-miniature SMD type (2.5×2.0×0.8mm)
- Frequency deviation : ±0.5×10⁻⁶/ -30 to +85°C
- 1.7 to 3.6V drive available
- Reflow compatible

Applications

- GPS Units

How to Order

KT2520P 27456 A C W 18 T xx
 ① ② ③ ④ ⑤ ⑥ ⑦ ⑧

① Series

*Series name shall be KT2520F for 1.8V Type.

② Output Frequency

③ Frequency deviation

A ±0.5×10⁻⁶

④ Lower Operating Temp.

C -30°C

E -20°C

G -10°C

⑤ Upper Operating Temp.

W +85°C

V +80°C

U +75°C

⑥ Supply Voltage

18 1.8V 28 2.8V

⑦ Voltage Control Range

T TCXO

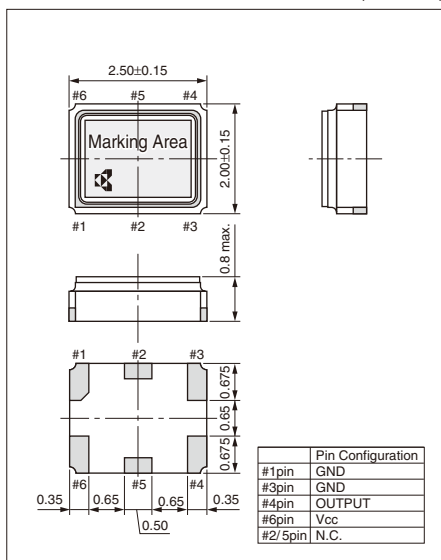
⑧ Option Code

Specifications

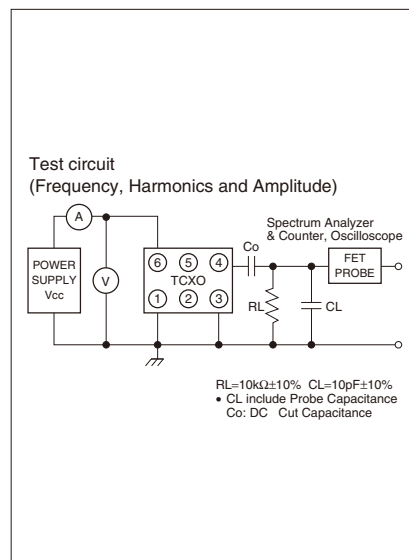
Item	Symbol	Conditions	Min.	Max.	Units
Output Frequency Range	f _o	Standard Frequency: 16.368, 16.369, 19.2, 23.104, 24.5535, 26, 27.456	—	—	MHz
Frequency Tolerance	f _{tol}	vs Temperature	-0.5	+0.5	×10 ⁻⁶
		vs Load	-0.1	+0.1	
		vs Voltage	-0.2	+0.2	
Frequency Aging	f _{age}	Per Year	-1	+1	×10 ⁻⁶
Storage Temperature Range	T _{stg}		-40	+85	°C
Operating Temperature Range	T _{use}		-30	+85	°C
Supply Voltage	V _{CC}		1.7	3.6	V
Output Level	V _{pp}	10k ohm // 10pF	0.8	—	Vp-p
Current Consumption	I _{CC}		—	2	mA
Harmonics	—		—	-5	dBc

Dimensions

(Unit: mm)



Test Circuit



Recommended Land Pattern

(Unit: mm)

