

Ph Free

RoHS Compliant

Features

- Ultra-miniature SMD type (2.0×1.6×0.75mm)
- AFC function available
- Frequency deviation : ±2.0×10⁻⁶/-30 to +85°C
- 2.3 to 3.6V drive available
- Reflow compatible

Applications

- 3G (CDMA, W-CDMA, TD-SCDMA), GPRS, GSM, Wi-Fi, WiMAX

How to Order

KT2016Y 26000 D C W 28 T xx
 ① ② ③ ④ ⑤ ⑥ ⑦ ⑧

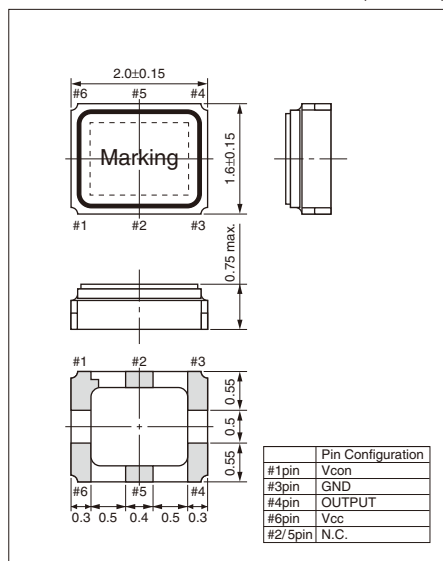
- ① Series
 - ② Output Frequency
 - ③ Frequency deviation
 - ④ Lower Operating Temp.
 - ⑤ Upper Operating Temp.
 - ⑥ Supply Voltage
 - ⑦ Voltage Control Range
 - ⑧ Option Code
- | | | | |
|---------------|-----------------------|-----------|------|
| 28 | 2.8V | 30 | 3.0V |
| B | ±1.0×10 ⁻⁶ | | |
| C | ±1.5×10 ⁻⁶ | | |
| D | ±2.0×10 ⁻⁶ | | |
| T | TCXO | | |
| Other* | VCTCXO | | |
- * Customer Spec.
- | | |
|----------|-------|
| C | -30°C |
| E | -20°C |
| G | -10°C |
| W | +85°C |
| V | +80°C |
| U | +75°C |

Specifications

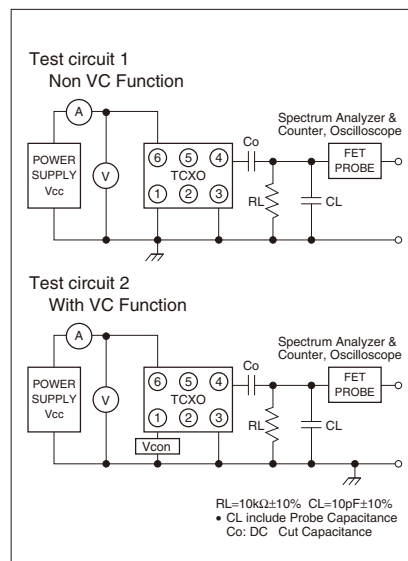
Item	Symbol	Conditions	Min.	Max.	Units
Output Frequency Range	f _o	Standard Frequency: 13, 19.2, 26, 38.4, 52	13	52	MHz
Frequency Tolerance	f _{tol}	vs Temperature	-2	+2	×10 ⁻⁶
		vs Load	-0.1	+0.1	
		vs Voltage	-0.2	+0.2	
Frequency Aging	f _{age}	Per Year	-1	+1	×10 ⁻⁶
Storage Temperature Range	T _{stg}		-40	+85	°C
Operating Temperature Range	T _{use}		-30	+85	°C
Voltage Control Range	f _{cont}	Positive	±8	±15	×10 ⁻⁶
Supply Voltage	V _{CC}		2.3	3.6	V
Output Level	V _{pp}	10k ohm // 10pF	0.8	—	Vp-p
Current Consumption	I _{CC}		—	2	mA
Harmonics	—		—	-5	dBc

Dimensions

(Unit: mm)



Test Circuit



Recommended Land Pattern

(Unit: mm)

