

Ph Free

RoHS Compliant

Surface Acoustic Wave Resonator for Remote Keyless Entry System (RKE)

Features

- Small size
- High reliability
- Excellent temperature characteristics

Applications

- Remote Keyless Entry System (RKE)
- Garage Openers
- Security Systems

How to Order

PARM 315.00 K 04 R
① ② ③ ④ ⑤

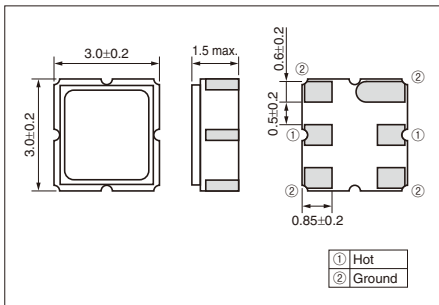
- ① Series
- ② Resonant Frequency (MHz)
- ③ Marking Code
- ④ Frequency Tolerance or Custom Spec.

00	±250kHz	04	±75kHz
01	±200kHz	05	±50kHz
02	±150kHz	11≤	Custom Spec.
03	±100kHz		

- ⑤ Type

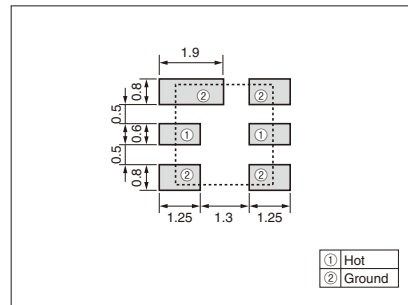
Dimensions

(Unit: mm)



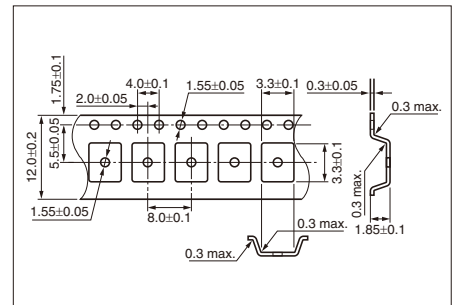
Recommended Land Pattern

(Unit: mm)



Packaging

(Unit: mm)



Specifications

Part Number	Resonant Frequency (MHz)	Resonant Loss (dB)	Parallel Capacitance (pF)	Temperature Characteristics (ppm/°C)	Operating Temperature (°C)	Storage Temperature (°C)
PARM315.00K04R	315.000±0.075	2.5 max.	4.0 max.	-0.03 typ.	-40 to 85	-40 to 85
PARM433.92K04R	433.920±0.075					

Recommended Reflow Profile

