

RoHS Compliant

Features

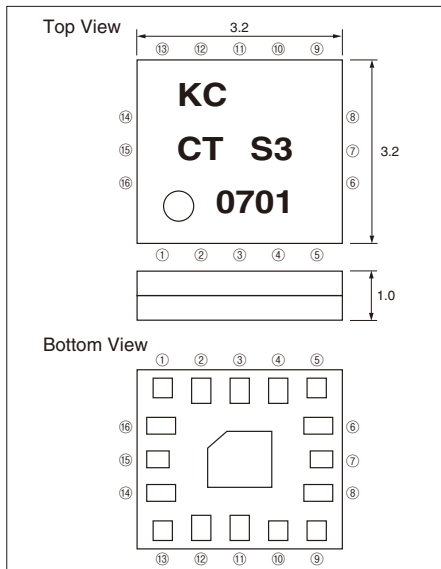
- Miniature size of 3.2×3.2mm
- US-CDMA Triplexer

Applications

- US-CDMA Sub Antenna Triplexer

Dimensions

(Unit: mm)



Pin Assignment

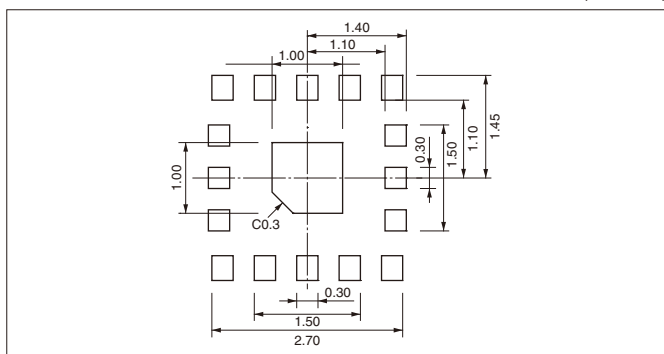
①	US800 out
②	GND
③	GND
④	GND
⑤	PCS out
⑥	GND
⑦	GND
⑧	GND
⑨	GND
⑩	ANT
⑪	GND
⑫	GND
⑬	GND
⑭	GND
⑮	GPS out
⑯	GND

Specifications

Parameters Specifications	Frequency (MHz)	min.	max.	Units	Test Conditions
Ins. Loss (@25±5°C)	869 to 894		3.2	dB	ANT=50 ohm (input port) 800M=50 ohm (output port) GPS, PCS=50 ohm
Att.	10 to 824	40		dB	
	824 to 849	45		dB	
	915 to 960	20		dB	
Ins. Loss (@25±5°C)	960 to 3000	25		dB	
	1930 to 1990		3.7	dB	ANT=50 ohm (input port) PCS =50 ohm (output port) GPS, 800M=50 ohm
	Att.	10 to 1850	27		
1850 to 1910		28		dB	
2050 to 2400		15		dB	
Ins. Loss (@25±5°C)	2400 to 3000	25		dB	
	1574.42 to 1576.42		2.0	dB	ANT=50 ohm (input port) GPS =50 ohm (output port) 800M, PCS=50 ohm
	Att.	10 to 824	35		
824 to 849		35		dB	
849 to 1501		30		dB	
Ins. Loss (@25±5°C)	1655 to 3000	30		dB	

Recommended Land Pattern

(Unit: mm)



Recommended Reflow Profile

