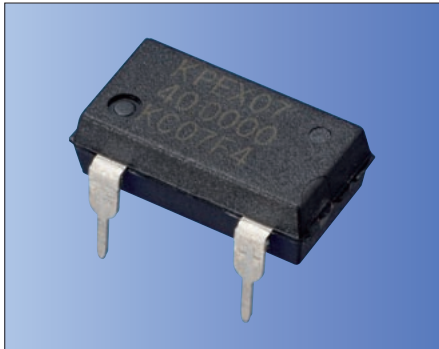


This product is NOT recommended for new designs.



Ph Free

RoHS Compliant

Features

- Wide frequency range
- Quick delivery is possible by PLL technology
- Realizing high reliability by using sealed crystal
- Stand-by function (ST) can be used for low current consumption applications
- Pin compatible with half size

Applications

- Digital Electronics

How to Order

KPEX07- 60.0000 C 5 1 B 00
 ① ② ③ ④ ⑤ ⑥ ⑦

- ① Type
- ② Output Frequency
- ③ Output Type (CMOS)
- ④ Supply Voltage (5.0V)
- ⑤ Frequency Tolerance
- ⑥ Symmetry/ Enable Function (40/ 60%, Stand-by)
- ⑦ Customer Special Model Suffix (STD Specification is "00")

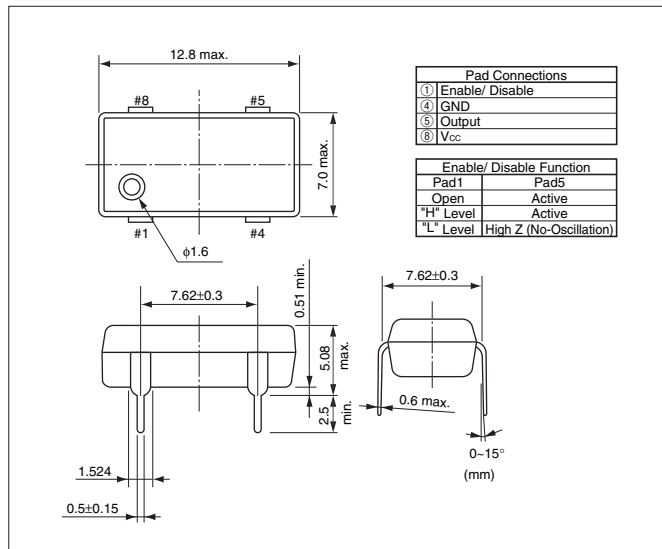
Specifications

Item	Symbol	Conditions	Specifications		Units
			Min.	Max.	
Output Frequency Range	f _o		1	125	MHz
Frequency Tolerance (Overall)	f _{tol}		-100	-100	×10 ⁻⁶
Storage Temperature Range	T _{stg}		-55	+125	°C
Operating Temperature Range	T _{use}		-10	+70	°C
Supply Voltage	V _{cc}		4.5	5.5	V
Current Consumption	I _{cc}	1 ≤ f _o ≤ 40	—	25	mA
		40 < f _o ≤ 90	—	35	mA
		90 < f _o ≤ 125	—	40	mA
Stand-by Current	I _{std}		—	10	μA
Symmetry	SYM	@ 50% V _{cc}	40	60	%
Rise/ Fall Time	tr/ tf	1 ≤ f _o ≤ 10	—	10	nS
		10 < f _o ≤ 60	—	5	nS
		60 < f _o ≤ 125	—	5	nS
Low Level Output Voltage	V _{OL}		—	10% V _{cc}	V
High Level Output Voltage	V _{OH}		90% V _{cc}	—	V
Input Voltage Range	V _{IN}		4.5	5.5	V
Low Level Input Voltage	V _{IL}		—	0.8	V
High Level Input Voltage	V _{IH}		2	—	V
CMOS Load	L _{CMOS}		—	15	pF
Disable Time	t _{dis}		—	100	nS
Enable Time	t _{ena}		—	5	mS
Start-up Time	t _{str}	@ Minimum operation voltage to be 0 sec.	—	5	mS

Note: All electrical characteristics are defined at the maximum load and operating temperature range.
 Because we use a PLL Technology, please be careful about the influence of the jitter enough.
 Please contact us for inquiry about supply Voltage 3.3V.

Dimensions

(Unit: mm)



Marking

