

11.8×5.5mm for Automotive



RoHS Compliant

Features

- Crystal unit for automotive electronics
- Small and low profile (11.8×5.5×2.5mm)
- Ceramic package
- Product with lead free terminations
- Reflow compatible
- AEC-Q200 certified

Applications

- ECU

How to Order

CX1255GA 04000 □□ □ □ □ □ □
 ① ② ③ ④ ⑤ ⑥ ⑦

- ① Series (CX1255GA/ CX1255CA)
 - ② Frequency
 - ③ Load Capacitance ④ Frequency Stability
- | | | | | | |
|-----------|-------|------|----------|-----------------------|------|
| D0 | 8 pF | — | P | ±50×10 ⁻⁶ | — |
| H0 | 12 pF | Std. | Q | ±100×10 ⁻⁶ | Std. |
- ⑤ Operating Temp. Range ⑥ Frequency Temp. Stability
- | | | | |
|-----------|---------------|-----------------------|------|
| TW | -40 to +150°C | ±200×10 ⁻⁶ | Std. |
|-----------|---------------|-----------------------|------|
- ⑦ Individual Specification

Specifications

Item	Symbol	Specification	Units	Remarks
Frequency Range	f _{nom}	3500 to 20000	kHz	
Overtone Order	OT	Fundamental	—	
Load Capacitance	CL	12	pF	
Frequency Stability	f _{tol}	±100	×10 ⁻⁶	25°C±3°C
Motional Series Resistance	R1	Table 1	ohm	
Drive Level	DL	Table 2	μW	
Operating Temp. Range	T _{use}	-40 to +150	°C	
Storage Temp. Range	T _{stg}	-40 to +150	°C	
Frequency Temp. Characteristics	f _{tem}	±200	×10 ⁻⁶	Freq. deviation from the value at 25°C

• Please contact us for other specifications.

Typical Frequencies and Part Numbers

Frequency (kHz)	Part Number
4000.000	CX1255GA04000HOQTWZ1
5000.000	CX1255GA05000HOQTWZ1
6000.000	CX1255GA06000HOQTWZ1
8000.000	CX1255GA08000HOQTWZ1
10000.000	CX1255GA10000HOQTWZ1
12000.000	CX1255GA12000HOQTWZ1
16000.000	CX1255GA16000HOQTWZ1
18000.000	CX1255GA18000HOQTWZ1
20000.000	CX1255GA20000HOQTWZ1
4000.000	CX1255CA04000HOQTWZ1
5000.000	CX1255CA05000HOQTWZ1
6000.000	CX1255CA06000HOQTWZ1
8000.000	CX1255CA08000HOQTWZ1
10000.000	CX1255CA10000HOQTWZ1
12000.000	CX1255CA12000HOQTWZ1
16000.000	CX1255CA16000HOQTWZ1
18000.000	CX1255CA18000HOQTWZ1
20000.000	CX1255CA20000HOQTWZ1

Table1 Motional Series Resistance

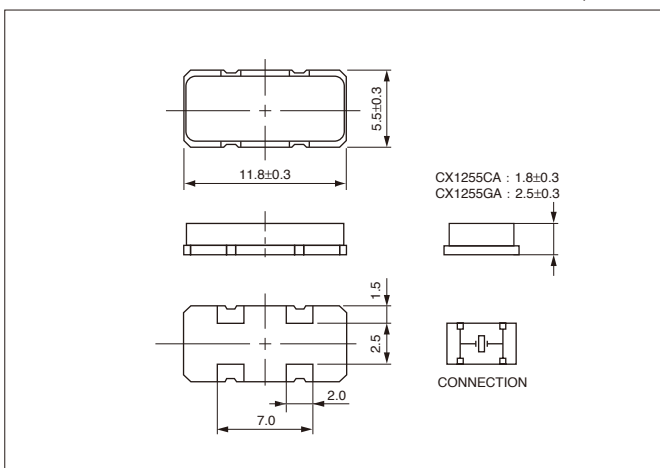
Frequency Range	Motional Series Resistance
3500 to 3999kHz	200Ω max.
4000 to 7999kHz	180Ω max.
8000 to 11999kHz	120Ω max.
12000 to 20000kHz	80Ω max.

Table2 Level of Drive

Frequency Range	Level of Drive
3500 to 15999kHz	10μW (500μW max.)
16000 to 20000kHz	10μW (300μW max.)

Dimensions

(Unit: mm)



Recommended Land Pattern

(Unit: mm)

